



AVALON B8-24 S/XT

Agfa Graphics' breakthrough range of Avalon B8-24 S/XT thermal platesetters is based on the reliable external drum architecture and proven fibre-coupled laser technology of the Avalon N, to breach all records of cost effectiveness.

The Avalon B8-24 S/XT is a robust output device with on- or offline processing. It delivers unmatched imaging results in combination with Agfa Graphics' thermal plates and guarantees maximum plate production consistency.

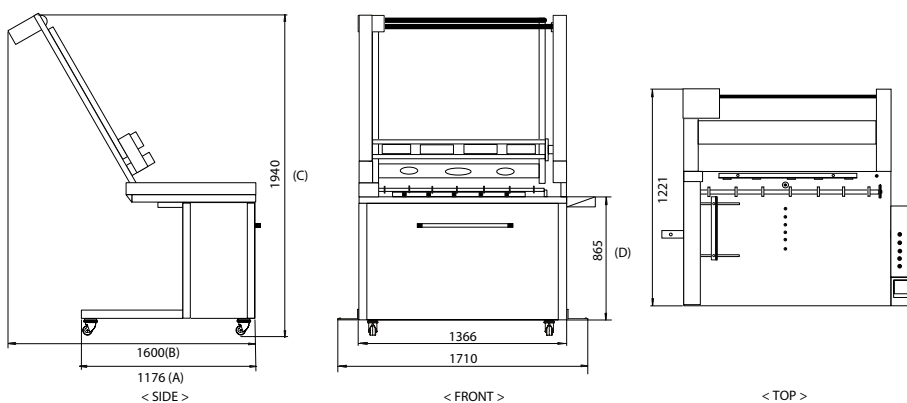
For maximum productivity and autonomy, the Avalon B8-24 comes with an optional automatic plate loader. The seamless integration with industry-leading Apogee workflow will deliver affordable high quality plate production for your commercial, packaging and publishing printing business.

AGFA 

STAY AHEAD. WITH AGFA GRAPHICS.

IMAGER	B8-24 S Series	B8-24 XT Series
Models	64 beams	96 beams
Imaging System	64 channel Fiber coupled	96 channel Fiber coupled
Laser technology	830 nm Thermal Laser Diodes	
Recording system	External drum	
Resolution	1200/2400/2540 dpi	
PLATE SIZE		
Maximum plate (lead edge x wrap)	1060 mm x 830 mm (41,7" x 32,7")	
Minimum plate (lead edge x wrap)	450 mm x 370 mm (17,7" x 14,6")	
Thickness	Maximum: 0,3 mm (12 mil) Minimum: 0,15 mm (6 mil)	
Imaging size - max <i>* reduced throughput - see remark on Throughput</i>	1060 x 806 mm (grip 12/12mm) 1060 x 810 mm (grip 8/12mm) *	
PLATES		
Approved Agfa Graphics plates	Azura TS, Azura TU, Azura TE, Amigo TS Thermostar P970, Energy Elite, Energy Elite Pro, Energy Elite Eco	
PLATE HANDLING CONFIGURATIONS		
Plate loading		
Manual loading	Yes	
Automatic loading	Yes by JLA (Job Level Automation) - Max. 50 plates	
Single cassette Autoloader	No	
Multi cassette Autoloader	No	
Plate Unloading		
Manual unload	Yes	
On-line processor (OLP)	Yes	
TROUGHTPUT *		
Energy Elite Pro 1030 x 800 mm plate, 2400 dpi	23 pph 18 pph when using small grippers	30 pph 25 pph when using small grippers
* Throughput affected by plate sensitivity, screening and other factors. Contact your Agfa Graphics representative for more detail.		
INTERNAL PUNCHING		
Internal punching	Not available	
PHYSICAL SPECIFICATIONS		
Dimensions (WxDxH) Including Built in bridge	2500 mm x 1820 mm x 1453 mm (98,4" x 71,7" x 57,2")	
Approx. Weight Including the Blower	945 kg (2083 lbs)	960 kg (2116 lbs)
ENVIRONMENT		
Temperature range - Recommended - Required	21° C to 25° C (70°F to 77°F) 18° C to 26° C (64°F to 79°F)	
Humidity range	40% to 70% RH (non-condensing)	
Power	1φ 200 - 240V 30A 4,0kW	

JLA (Job Level Automation)



	mm	in.
A	1,710	673,2
B	1680	661,4
C	2380	937
D	865	340,6

www.agfagraphics.com

© Copyright 2017 by Agfa Graphics N.V. All rights reserved. AGFA and the Agfa rhombus are trademarks of Agfa-Gevaert NV, Belgium or its affiliates. Amigo, Azalon, Azura, Energy and Thermostar are trademarks of Agfa Graphics N.V. All other brand and product names may be service marks, trademarks, or registered trademarks of their own respective owners. All product specifications are subject to change without notice. All information contained in this document is intended for guidance purposes only, and specifications are dependent on platesetter, processor and press conditions, and chemistry and inks used.