



AGFA
RADIOLOGY
SOLUTIONS

DR 100e

Compact, mobile X-ray unit



- > Offers a powerful 32 kW generator to produce high quality images
- > Compact size enables imaging in small spaces, such as ICU and bedside imaging
- > Small width fits down narrow corridors and hallways
- > Can be used with CR or film, for flexible workflow
- > Choice of fixed or rotating column enhances handling

With its powerful generator power, compact size and flexible handling, the DR 100e offers clinics and hospitals a cost-effective, high quality X-ray solution that maximizes patient comfort and performance.

Not all patients who need imaging exams have the mobility to move to the X-ray room or to position themselves properly for optimum imaging. With the compact, wheeled DR 100e, every hospital, whatever its budget, can take imaging to the patient – instead of the other way around!

The DR 100e can handle a broad range of general radiography X-ray studies, using either computed radiography cassettes (CR) or film. The compact unit fits down narrow corridors and in small spaces, making it ideal for the ICU or bedside imaging. It supports your radiology department's goal to continuously enhance patient comfort and performance.

Easy handling for convenient radiology exams

The small width of the DR 100e allows convenient handling around the patient, even in very confined areas. It can be positioned precisely and safely whether the patient is sitting, standing or lying down, for greater patient comfort.

The DR 100e comes with a choice of a fixed or rotating column, offering maximum handling flexibility for every budget. The convenient handling capabilities reduce patient waiting times and increase diagnostic confidence.

CR or film: high quality imaging

The DR 100e supports both a CR and screen film workflow. You can use it to make, process and view X-ray images of the skeleton (including skull, spinal column and extremities), chest, abdomen and other body parts on adult, pediatric or neonatal patients, optimizing your investment and productivity. And the DR 100e offers your hospital a path to direct radiography (DR), at your own pace.

Services & Support

Agfa offers service agreement solutions tailored to the individual customer's situation. The service agreements are available in Basic, Comfort and Advanced levels, making lifecycle costs predictable. A worldwide team of some 1000 service professionals is at your disposal to provide support at all phases of your project.

As an additional service, they can help you customize your examination tree or link RIS protocol codes, for an even higher return on investment. Furthermore, this team carries out tasks that go well beyond maintenance, including value added services such as staff and super user training, and software upgrades.



Technical Specifications

X-ray generator

32 kW max. power
High frequency generator (40 kHz)
Monobloc thermal capacity: 600 kJ (800 kHU)
kV range: 40 to 125 kV (1 kV steps)
mA range: 50 - 400 (according to kV selection)
mAs range: 0.1 - 110 (12.5% steps) (Optional 220)
Time range (according to mAs selection): 0.001 - 2.2 s

Exposure controls

Double switch X-ray hand-switch with extensible cable
Remote control (optional)

X-ray tube

Rotating anode: 3000 rpm
Double focal spot: 0.8 and 1.3 mm
(Optional 0.6 mm and 1.3 mm)
Nominal focus power: 16 kW small focus;
32 kW large focus (Optional 11 kW and 32 kW)
Anodic diameter: 64 mm
Anodic angle: 15°
Max. continuous anode dissipation: 300 W
Anode thermal capacity: 80 kJ (107 kHU)

Collimator

High brightness power LED
30 s light timer
Extractable meter for SID measure
Collimator rotation: $\pm 120^\circ$
Additional filtration by manual selection:
1 mm Al + 0.1 mm Cu; 1 mm Al + 0.2 mm Cu; 2 mm Al

Options

DAP chamber dosimeter
DAP printer
Remote control
Collimator with double laser line for 1m SID definition
Rotating column: $\pm 90^\circ$

Various

System works with film cassettes or CR Cassettes
36 APR programs available in generator console
Potter Bucky interface

Power supply

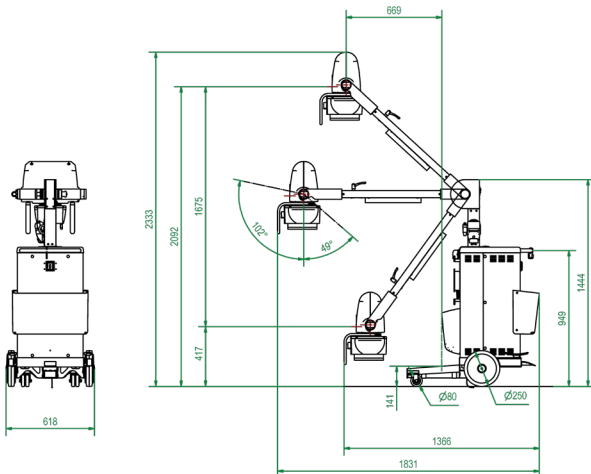
115/230 Vac $\pm 10\%$, 50/60 Hz Auto selection
Max. line resistance: $< 1 \Omega$
Connection to standard mains outlet: 16 A
Length power cable: 8 meter

The unit can be upgraded at any time to a Direct Radiography (DR) configuration.

Technical Specifications

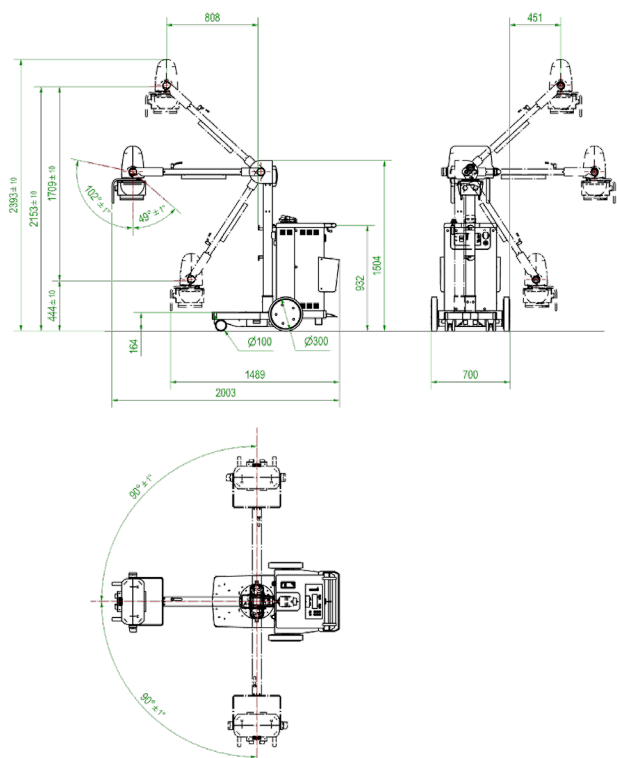
Mechanical data (Unit with Fixed Column)

Wheels diameter: 80 mm front; 250 mm rear
Max. length in transport position: 1366 mm
Max. height in transport position: 1444 mm
Max. width in transport position: 618 mm
Handle height: 949 mm
Focus-floor distance: 417 - 2092 mm
Monobloc rotation around sagittal axis: $\pm 180^\circ$
Monobloc rotation around transversal axis:
 -49° to $+102^\circ$
Weight: 170 kg



Mechanical data (Unit with Rotating Column)

Wheels diameter: 100 mm front; 300 mm rear
Max. length in transport position: 1489 mm
Max. height in transport position: 1504 mm
Max. width in transport position: 700 mm
Handle height: 932 mm
Focus-floor distance: 444 - 2153 mm
Monobloc rotation around sagittal axis: $\pm 180^\circ$
Monobloc rotation around transversal axis:
 -49° to $+102^\circ$
Weight: 240 kg



AGFA RADIOLOGX SOLUTIONS

Follow us:



[agfa.com](https://www.agfa.com) » Septestraat 27 - 2640 Mortsel - Belgium

Agfa, the Agfa rhombus and MUSICA® are trademarks of Agfa-Gevaert NV, Belgium, or its affiliates. All rights reserved. All information contained herein is intended for guidance purposes only, and characteristics of the products and services described in this publication can be changed at any time without notice. Products and services may not be available for your local area. Please contact your local sales representative for availability information. Agfa-Gevaert NV diligently strives to provide as accurate information as possible, but shall not be responsible for any typographical error.

© 2024 Agfa NV - All rights reserved - Published by Agfa NV

GB 00202404

