

# AGFA HEALTHCARE DICOM Conformance Statement

→ **IMPAX Data Center 2.0**

Document No. 001304  
Revision: 1.1  
Livelink NodeID: 28420443

**When printed, this is NOT a controlled copy**

## Document Information

---

<b>Service-related contact information worldwide</b>	All service-related contact information is available on this URL→	<a href="http://www.agfa.com/en/he/support/support_service/index.jsp">http://www.agfa.com/en/he/support/support_service/index.jsp</a>

Issued by:  
Agfa HealthCare  
SIV Connectivity  
Septestraat 27  
B-2640 Mortsel  
Belgium

tel: +32 3 444 7588  
email: [connectivity@agfa.com](mailto:connectivity@agfa.com)

Agfa shall not be liable for errors contained herein or for incidental or consequential damages in connection with the furnishing, performance or use of this publication. Agfa reserves the right to revise this publication and to make changes to its content at any time, without obligation to notify any person or entity of such revisions and changes. This publication may only be used in connection with the promotion, sales, installation and use of Agfa equipment.

**Copyright © December, 09**  
**Agfa HealthCare**  
**All rights reserved**

## Conformance Statement Overview

IMPAX Data Center is comprised of a storage facility. IMPAX Data Center is a single Application Entity<sup>1</sup> that stores images sent to it by service class users, takes responsibility for storage of the images/objects, allows queries based on several standard query models, and retrieves requested images/objects. IMPAX Data Center can store images to a ftp archive.

IMPAX Data Center is a system that provides services for safe storage and retrieve of DICOM evidence objects such Images, Key Image Notes, Presentation States, Structured Reports, and others.

IMPAX Data Center acts as a **service class provider (SCP)** for Verification, Storage, Storage Commitment, Query/Retrieve and Modality Performed Procedure Steps SOP Class.

IMPAX Data Center acts as a **service class user (SCU)** for Verification, Storage, Storage Commitment, Query/Retrieve Service Classes and Modality Performed Procedure Steps SOP Class.

IMPAX Data Center conforms to the DICOM 3.0 2008 standard.

IMPAX Data Center provides Standard Conformance to the SOP Classes listed in Table 1.1-1. This table lists the Network Services Supported as they appear in DICOM Supplement 64, Table A.1-2. The italicized items represent SOP classes that have been retired (so no longer appear in Supplement 64) but are still supported by IMPAX Data Center.

**Table 1.1-1: Network Services Supported**

SOP Class Name	SOP Class UID	SCU	SCP
<b>Verification</b>			
Verification	1.2.840.10008.1.1	Yes	Yes
<b>Transfer</b>			
Computed Radiography Image Storage	1.2.840.10008.5.1.4.1.1.1	Yes	Yes
Digital X-Ray Image Storage – For Presentation	1.2.840.10008.5.1.4.1.1.1.1	Yes	Yes
Digital X-Ray Image Storage – For Processing	1.2.840.10008.5.1.4.1.1.1.1.1	Yes	Yes
Digital Mammography X-Ray Image Storage – For Presentation	1.2.840.10008.5.1.4.1.1.1.2	Yes	Yes
Digital Mammography X-Ray Image Storage – For Processing	1.2.840.10008.5.1.4.1.1.1.2.1	Yes	Yes
Digital Intra-oral X-Ray Image Storage – For Presentation	1.2.840.10008.5.1.4.1.1.1.3	Yes	Yes
Digital Intra-oral X-Ray Image Storage – For Processing	1.2.840.10008.5.1.4.1.1.1.3.1	Yes	Yes
CT Image Storage	1.2.840.10008.5.1.4.1.1.2	Yes	Yes
Enhanced CT Image Storage	1.2.840.10008.5.1.4.1.1.2.1	Yes	Yes
Ultrasound Multi-frame Image Storage	1.2.840.10008.5.1.4.1.1.3.1	Yes	Yes
MR Image Storage	1.2.840.10008.5.1.4.1.1.4	Yes	Yes
Enhanced MR Image Storage	1.2.840.10008.5.1.4.1.1.4.1	Yes	Yes
MR Spectroscopy Storage	1.2.840.10008.5.1.4.1.1.4.2	Yes	Yes
Ultrasound Image Storage	1.2.840.10008.5.1.4.1.1.6.1	Yes	Yes
Secondary Capture Image Storage	1.2.840.10008.5.1.4.1.1.7	Yes	Yes
Multi-frame Single Bit Secondary Capture Image Storage	1.2.840.10008.5.1.4.1.1.7.1	Yes	Yes
Multi-frame Grayscale Byte Secondary Capture Image Storage	1.2.840.10008.5.1.4.1.1.7.2	Yes	Yes

<sup>1</sup>IMPAX can be also configured to provide Storage, Storage Commitment and Query/Retrieve by different Application Entities, addressed by different Application Entity Titles.

SOP Class Name	SOP Class UID	SCU	SCP
Multi-frame Grayscale Word Secondary Capture Image Storage	1.2.840.10008.5.1.4.1.1.7.3	Yes	Yes
Multi-frame True Color Secondary Capture Image Storage	1.2.840.10008.5.1.4.1.1.7.4	Yes	Yes
12-lead ECG Waveform Storage	1.2.840.10008.5.1.4.1.1.9.1.1	Yes	Yes
General ECG Waveform Storage	1.2.840.10008.5.1.4.1.1.9.1.2	Yes	Yes
Ambulatory ECG Waveform Storage	1.2.840.10008.5.1.4.1.1.9.1.3	Yes	Yes
Hemodynamic Waveform Storage	1.2.840.10008.5.1.4.1.1.9.2.1	Yes	Yes
Cardiac Electrophysiology Waveform Storage	1.2.840.10008.5.1.4.1.1.9.3.1	Yes	Yes
Basic Voice Audio Waveform Storage	1.2.840.10008.5.1.4.1.1.9.4.1	Yes	Yes
Grayscale Softcopy Presentation State Storage	1.2.840.10008.5.1.4.1.1.11.1	Yes	Yes
Color Softcopy Presentation State Storage	1.2.840.10008.5.1.4.1.1.11.2	Yes	Yes
Pseudo-Color Softcopy Presentation State Storage	1.2.840.10008.5.1.4.1.1.11.3	Yes	Yes
Blending Softcopy Presentation State Storage	1.2.840.10008.5.1.4.1.1.11.4	Yes	Yes
X-Ray Angiographic Image Storage	1.2.840.10008.5.1.4.1.1.12.1	Yes	Yes
Enhanced XA Image Storage	1.2.840.10008.5.1.4.1.1.12.1.1	Yes	Yes
X-Ray Radiofluoroscopic Image Storage	1.2.840.10008.5.1.4.1.1.12.2	Yes	Yes
Enhanced XRF Image Storage	1.2.840.10008.5.1.4.1.1.12.2.1	Yes	Yes
Nuclear Medicine Image Storage	1.2.840.10008.5.1.4.1.1.20	Yes	Yes
Raw Data Storage	1.2.840.10008.5.1.4.1.1.66	Yes	Yes
Spatial Registration Storage	1.2.840.10008.5.1.4.1.1.66.1	Yes	Yes
Spatial Fiducials Storage	1.2.840.10008.5.1.4.1.1.66.2	Yes	Yes
Deformable Spatial Registration Storage	1.2.840.10008.5.1.4.1.1.66.3	Yes	Yes
Segmentation Storage	1.2.840.10008.5.1.4.1.1.66.4	Yes	Yes
Real World Value Mapping Storage	1.2.840.10008.5.1.4.1.1.67	Yes	Yes
VL Endoscopic Image Storage	1.2.840.10008.5.1.4.1.1.77.1.1	Yes	Yes
Video Endoscopic Image Storage	1.2.840.10008.5.1.4.1.1.77.1.1.1	Yes	Yes
VL Microscopic Image Storage	1.2.840.10008.5.1.4.1.1.77.1.2	Yes	Yes
Video Microscopic Image Storage	1.2.840.10008.5.1.4.1.1.77.1.2.1	Yes	Yes
VL Slide-Coordinates Microscopic Image Storage	1.2.840.10008.5.1.4.1.1.77.1.3	Yes	Yes
VL Photographic Image Storage	1.2.840.10008.5.1.4.1.1.77.1.4	Yes	Yes
Video Photographic Image Storage	1.2.840.10008.5.1.4.1.1.77.1.4.1	Yes	Yes
Ophthalmic Photography 8 Bit Image Storage	1.2.840.10008.5.1.4.1.1.77.1.5.1	Yes	Yes
Ophthalmic Photography 16 Bit Image Storage	1.2.840.10008.5.1.4.1.1.77.1.5.2	Yes	Yes
Stereometric Relationship Storage	1.2.840.10008.5.1.4.1.1.77.1.5.3	Yes	Yes
Basic Text SR	1.2.840.10008.5.1.4.1.1.88.11	Yes	Yes
Enhanced SR	1.2.840.10008.5.1.4.1.1.88.22	Yes	Yes
Comprehensive SR	1.2.840.10008.5.1.4.1.1.88.33	Yes	Yes
Procedure Log Storage	1.2.840.10008.5.1.4.1.1.88.40	Yes	Yes
Mammography CAD SR	1.2.840.10008.5.1.4.1.1.88.50	Yes	Yes
Key Object Selection Document	1.2.840.10008.5.1.4.1.1.88.59	Yes	Yes
Chest CAD SR	1.2.840.10008.5.1.4.1.1.88.65	Yes	Yes
X-Ray Radiation Dose SR	1.2.840.10008.5.1.4.1.1.88.67	Yes	Yes
Encapsulated PDF Storage	1.2.840.10008.5.1.4.1.1.104.1	Yes	Yes
Positron Emission Tomography Image Storage	1.2.840.10008.5.1.4.1.1.128	Yes	Yes
RT Image Storage	1.2.840.10008.5.1.4.1.1.481.1	Yes	Yes
RT Dose Storage	1.2.840.10008.5.1.4.1.1.481.2	Yes	Yes
RT Structure Set Storage	1.2.840.10008.5.1.4.1.1.481.3	Yes	Yes
RT Beams Treatment Record Storage	1.2.840.10008.5.1.4.1.1.481.4	Yes	Yes
RT Plan Storage	1.2.840.10008.5.1.4.1.1.481.5	Yes	Yes
RT Brachy Treatment Storage	1.2.840.10008.5.1.4.1.1.481.6	Yes	Yes
RT Treatment Summary Record Storage	1.2.840.10008.5.1.4.1.1.481.7	Yes	Yes

SOP Class Name	SOP Class UID	SCU	SCP
RT Ion Plan Storage	1.2.840.10008.5.1.4.1.1.481.8	Yes	Yes
RT Ion Beams Plan Storage	1.2.840.10008.5.1.4.1.1.481.9	Yes	Yes
<i>Hardcopy Grayscale Image Storage (Retired)</i>	<i>1.2.840.10008.5.1.1.29</i>	Yes	Yes
<i>Hardcopy Color Image Storage (Retired)</i>	<i>1.2.840.10008.5.1.1.30</i>	Yes	Yes
<i>Nuclear Medicine Image Storage (Retired)</i>	<i>1.2.840.10008.5.1.4.1.1.5</i>	Yes	Yes
<i>Ultrasound Image Storage (Retired)</i>	<i>1.2.840.10008.5.1.4.1.1.6</i>	Yes	Yes
<i>Ultrasound Multi-frame Image Storage (Retired)</i>	<i>1.2.840.10008.5.1.4.1.1.3</i>	Yes	Yes
<i>X-Ray Angiographic Bi-plane Image Storage (Retired)</i>	<i>1.2.840.10008.5.1.4.1.1.12.3</i>	Yes	Yes
<i>Standalone Overlay Storage (Retired)</i>	<i>1.2.840.10008.5.1.4.1.1.8</i>	Yes	Yes
<i>Standalone Curve Storage (Retired)</i>	<i>1.2.840.10008.5.1.4.1.1.9</i>	Yes	Yes
<i>Standalone Modality LUT Storage (Retired)</i>	<i>1.2.840.10008.5.1.4.1.1.10</i>	Yes	Yes
<i>Standalone VOI LUT Storage (Retired)</i>	<i>1.2.840.10008.5.1.4.1.1.11</i>	Yes	Yes
<i>Standalone PET Curve Storage (Retired)</i>	<i>1.2.840.10008.5.1.4.1.1.129</i>	Yes	Yes
<i>VL Image Storage (Retired)</i>	<i>1.2.840.10008.5.1.4.1.1.77.1</i>	Yes	Yes
<i>VL Multi-frame Image Storage (Retired)</i>	<i>1.2.840.10008.5.1.4.1.1.77.2</i>	Yes	Yes
Agfa Attribute Presentation State	1.2.124.113532.3500.7	Yes	Yes
Siemens CSA Non-Image Storage	1.3.12.2.1107.5.9.1	Yes	Yes
Dcm4che Encapsulated Document Storage	1.2.40.0.13.1.5.1.4.1.1.104.1	Yes	Yes
<b>Query/Retrieve</b>			
Patient Root Query/Retrieve Information Model – FIND	1.2.840.10008.5.1.4.1.2.1.1	Yes	Yes
Patient Root Query/Retrieve Information Model – MOVE	1.2.840.10008.5.1.4.1.2.1.2	Yes	Yes
Study Root Query/Retrieve Information Model – FIND	1.2.840.10008.5.1.4.1.2.2.1	Yes	Yes
Study Root Query/Retrieve Information Model – MOVE	1.2.840.10008.5.1.4.1.2.2.2	Yes	Yes
Patient/Study Only Query/Retrieve Information Model – FIND	1.2.840.10008.5.1.4.1.2.3.1	Yes	Yes
Patient/Study Only Query/Retrieve Information Model – MOVE	1.2.840.10008.5.1.4.1.2.3.2	Yes	Yes
<b>Workflow Management</b>			
Storage Commitment Push Model	1.2.840.10008.1.20.1	Yes	Yes
Modality Performed Procedure Steps	1.2.840.10008.3.1.2.3.3	Yes	Yes

## Table of Contents

1	Introduction .....	9
1.1	Revision Record .....	9
1.2	Purpose and Intended Audience of this Document .....	9
1.3	General Remarks .....	9
1.3.1	Integration and Validation Activities.....	9
1.3.2	Future Evolution .....	9
1.4	Acronyms and Abbreviations .....	10
1.5	Related Documents .....	10
2	Networking .....	11
2.1	Implementation Model .....	11
2.1.1	Application Data Flow Diagram .....	11
2.1.2	Functional Definitions of AE's .....	13
2.1.2.1	Application Entity: Verification-SCU .....	13
2.1.2.2	Application Entity: Storage-SCP.....	13
2.1.2.3	Application Entity: Storage Commitment (SCP and SCU).....	14
2.1.2.4	Application Entity: Query/Retrieve-SCP and Storage-SCU .....	14
2.1.2.5	Application Entity: Retrieve-SCU.....	14
2.1.2.6	Application Entity: Modality Performed Procedure Step (SCP and SCU) ....	15
2.2	AE Specifications.....	16
2.2.1	AE Specification: Storage-SCP, Storage Commitment (SCP and SCU), Query/Retrieve-SCP and Storage-SCU, Retrieve-SCU .....	16
2.2.1.1	Default Transfer Syntaxes Supported.....	16
2.2.1.2	Extended Syntaxes Supported.....	16
2.2.1.3	Storage SOP Classes Supported .....	16
2.2.1.4	Association Establishment Policies .....	19
2.2.1.4.1	General .....	19
2.2.1.4.2	Number of Associations .....	19
2.2.1.4.3	Asynchronous Nature .....	19
2.2.1.4.4	Implementation Identifying Information.....	19
2.2.1.4.5	Called/Calling Titles .....	19
2.2.1.5	Association Initiation Policies .....	20
2.2.1.5.1	Real World Activity – Verification Request Sent by IMPAX Data Center	20
2.2.1.5.1.1	Description and Sequencing of Activity	20
2.2.1.5.1.2	Proposed Presentation Contexts	20
2.2.1.5.1.3	SOP Specific Conformance – Verify Communication	20
2.2.1.5.2	Real World Activity – Storage Commitment Request Sent by IMPAX Data Center	20
2.2.1.5.2.1	Description and Sequencing of Activity	20
2.2.1.5.2.2	Proposed Presentation Contexts	21
2.2.1.5.2.3	SOP Specific Conformance – Request Storage Commitment (SCU)	21
2.2.1.5.3	Real World Activity – Transmit DICOM Objects Requested by IMPAX Data Center	22
2.2.1.5.3.1	Description and Sequencing of Activity	22
2.2.1.5.3.2	Proposed Presentation Contexts	22
2.2.1.5.3.3	SOP Specific Conformance	23
2.2.1.6	Association Acceptance Policies.....	24
2.2.1.6.1	Real World Activity – Image or other Composite DICOM Object Sent by Remote AE (SCP)	24
2.2.1.6.1.1	Description and Sequencing of Activity	24

2.2.1.6.1.2	Accepted Presentation Contexts	24
2.2.1.6.1.3	SOP Specific Conformance – Image or other Composite DICOM	
Object Sent by Remote AE (SCP)		26
2.2.1.6.1.4	Presentation Context Acceptance Criterion	26
2.2.1.6.1.5	Transfer Syntax Selection Policies	26
2.2.1.6.2	Real World Activity – Storage Commitment Request Sent by Remote AE	27
2.2.1.6.2.1	Description and Sequencing of Activity	27
2.2.1.6.2.2	Accepted Presentation Contexts	27
2.2.1.6.2.3	SOP Specific Conformance	28
2.2.1.6.2.4	Storage Commitment Result	28
2.2.1.6.2.5	Operations – Storage Commitment	29
2.2.1.6.2.6	Presentation Context Acceptance Criterion	29
2.2.1.6.2.7	Transfer Syntax Selection Policies	29
2.2.1.6.3	Real World Activity – Find Object (SCP)	29
2.2.1.6.3.1	Description and Sequencing of Activity – Find Object (SCP)	29
2.2.1.6.3.2	Accepted Presentation Contexts – Find Object (SCP)	30
2.2.1.6.3.3	SOP Specific Conformance – Find Object (SCP)	31
2.2.1.6.3.4	Presentation Context Acceptance Criterion – Find Object (SCP)	33
2.2.1.6.3.5	Transfer Syntax Selection Policies – Find Object (SCP)	33
2.2.1.6.4	Real World Activity – Received DICOM Objects Retrieve Requested by Remote AE	34
2.2.1.6.4.1	Description and Sequencing of Activity	34
2.2.1.6.4.2	Accepted Presentation Contexts – Move Object (SCP)	34
2.2.1.6.4.3	SOP Specific Conformance – Move Object (SCP)	35
2.2.1.6.4.4	Presentation Context Acceptance Criterion – Move Object (SCP)	35
2.2.1.6.4.5	Transfer Syntax Selection Policies – Move Object (SCP)	35
2.2.1.6.5	Real World Activity – Remote Retrieve-SCP Receives Forwarded Retrieve Command	36
2.2.1.6.5.1	Description and Sequencing of Activity	36
2.2.1.6.5.2	Proposed Presentation Contexts	37
2.2.1.6.5.3	SOP Specific Conformance	38
2.2.1.6.6	Real World Activity – Modality Performed Procedure Step (SCP)	38
2.2.1.6.6.1	Description and Sequencing of Activity	38
2.2.1.6.6.2	Accepted Presentation Contexts	38
2.2.1.6.6.3	SOP Specific Conformance	38
2.3	Network Interfaces	42
2.3.1	Supported Communication Stacks	42
2.3.1.1	TCP/IP Stack	42
2.3.2	Physical Network Interface	42
2.4	Configuration	42
2.4.1	AE Title/Presentation Address Mapping	42
2.4.1.1	Local AE Titles	42
2.4.1.2	Remote AE Title	42
2.4.2	Parameters	43
3	Media Interchange	45
4	Support for Extended Character Sets	46
4.1	Overview	46
4.2	Support for Extended Character Sets	46
5	Security	47
5.1	Security Profiles	47
5.2	Association Level Security	47

- 5.3 User Interface Security .....47
- 6 Support of Web Access to DICOM Persistent Objects (WADO) .....48
- 7 Annexes .....49
  - 7.1 IOD Contents.....49
  - 7.2 Created SOP Instances .....49
  - 7.3 Usage of Attributes from Received IOD's.....49
  - 7.4 Attribute Mapping .....49
  - 7.5 Coerced/Modified fields .....49
  - 7.6 Data Dictionary of Private Attributes.....49
  - 7.7 Coded Terminology and Templates .....49
  - 7.8 Grayscale Image Consistency .....49
  - 7.9 Standard Extended/Specialized/Private SOP Classes.....49
  - 7.10 Private Transfer Syntaxes.....49

# 1 INTRODUCTION

## 1.1 Revision Record

Dicom Conformance Statement IMPAX Data Center 2.0		
Revision Number	Date	Reason for Change
1.0	September 2009	Initial revision (based on Document ID 27485318)
1.1	October 2009	Added WADO support and MPPS SCP/SCU support

## 1.2 Purpose and Intended Audience of this Document

This document is a DICOM Conformance Statement for the DICOM Services of the IMPAX Data Center product.

The user of this document is involved with system integration and/or software design. We assume that the reader is familiar with the terminology and concepts that are used in the DICOM 3.0 standard and the IHE Technical Framework.

Readers not familiar with DICOM 3.0 terminology should first read the appropriate parts of the DICOM standard itself, prior to reading this conformance statement.

Although the use of this conformance statement, in conjunction with the DICOM 3.0 standard, is intended to facilitate communication between IMPAX Data Center and other DICOM devices, it is not sufficient to guarantee the interoperability of the two DICOM Application Entities. Section 1.3 outlines issues that need to be considered to ensure interoperability.

## 1.3 General Remarks

### 1.3.1 Integration and Validation Activities

The integration of any device into a system of interconnected devices goes beyond the scope of the DICOM 3.0 standard and this conformance statement when *interoperability* is desired. The responsibility for analyzing the applications requirements and developing a solution that integrates the Agfa equipment with other vendors' systems is the user's responsibility and should not be underestimated.

In some circumstances it might be necessary to perform a validation to make sure that functional interoperability between the Agfa equipment and non-Agfa devices works as expected. The user should ensure that any non-Agfa provider accepts responsibility for any validation required for their connection with the Agfa equipment.

### 1.3.2 Future Evolution

As the DICOM 3.0 standard evolves to meet the user's growing requirements and to incorporate new features and technologies, Agfa will follow the evolution of the standard. This evolution of the standard may require changes to devices that have implemented DICOM 3.0. The user should ensure that any non-Agfa provider, who connects with Agfa devices, also plans for future evolution of the DICOM standard. A refusal to do so may result in the loss of functionality and/or connectivity between the different products.

## 1.4 Acronyms and Abbreviations

Definitions, terms and abbreviations used in this document are defined within the different parts of the DICOM standard. Abbreviations and terms are as follows:

AE	DICOM Application Entity
AET	Application Entity Title
ACSE	Association Control Service Element
CD-R	Compact Disk Recordable
DICOM	Digital Imaging and Communications in Medicine
FSC	File-Set Creator
FSU	File-Set Updater
FSR	File-Set Reader
GSDF	Grayscale Standard Display Function
GSPS	Grayscale Softcopy Presentation State
IE	Information Entity
IOD	(DICOM) Information Object Definition
ISO	International Standard Organization
MPPS	Modality Performed Procedure Step
MSPS	Modality Scheduled Procedure Step
MWL	Modality Worklist
NEMA	National Electrical Manufacturers Association
PDU	DICOM Protocol Data Unit
SCU	DICOM Service Class User (DICOM client)
SCP	DICOM Service Class Provider (DICOM server)
SOP	DICOM Service-Object Pair
TCP/IP	Transmission Control Protocol / Internet Protocol
UID	Unique Identifier
VR	Value Representation

## 1.5 Related Documents

- ACR-NEMA Digital Imaging and Communications in Medicine (DICOM) V3.0.2008.
- IHE Radiology Technical Framework Revision 9 – Final Text, June 2008

## 2 NETWORKING

### 2.1 Implementation Model

#### 2.1.1 Application Data Flow Diagram

The Application Data Flow Diagrams in this section depict the DICOM data flow to and from IMPAX Data Center Application Entities<sup>2</sup>.

IMPAX Data Center is logically divided in several different DICOM Application Entities:

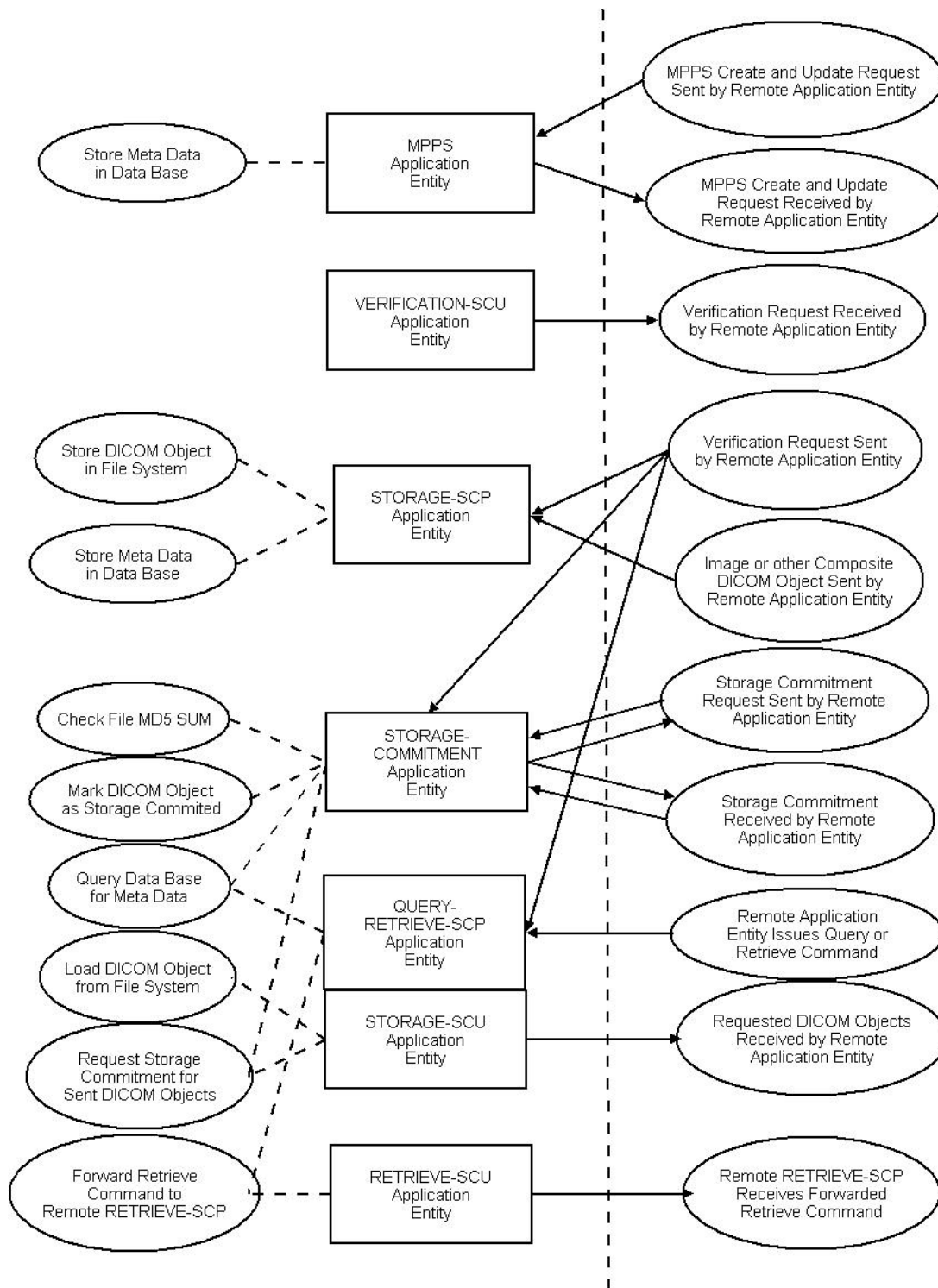
- Verification-SCU
- Storage-SCP
- Storage Commitment (SCP and SCU)
- Query/Retrieve-SCP and Storage-SCU
- Retrieve-SCU
- Modality Performed Procedure Steps (SCP and SCU)

The tail of the arrow between a local AE and the remote real world activity indicates the party (AE or remote real world activity) that initiates the association negotiation.

The Application Entities detailed in the Application Data Flow Diagram are all Java Enterprise Application and are designed to run in a J2EE compliant container (i.e. JBoss) on any Java Virtual Machine 1.5 capable Operating System.

---

<sup>2</sup>At default. IMPAX is configured to act as single Application Entity providing all supported DICOM Services to remote application. But it is possible to assign different Application Entities Titles to the 4 different Service groups, which corresponds to providing/requesting these Services by logically separated Application Entities.



**Figure 2-1: Functional Overview – Application Data Flow for MPPS, Verification-SCU, Storage-SCP, Storage Commitment, Query/Retrieve-SCP, Storage-SCU, and Retrieve-SCU AEs.**

### **Application Entity: Verification-SCU**

The Verification-SCU AE implements the DICOM Verification Service Class as an SCU.

### **Application Entity: Storage-SCP**

The **Storage-SCP AE** implements the DICOM Storage Service Class and the Verification Service Class as an SCP.

In the remote real-world activity labeled “Verify Communication”, a remote application entity (AE) initiates an association and requests verification from IMPAX Data Center. Assuming IMPAX Data Center receives the request, it responds to the remote AE and communication between the two AE’s has been verified. IMPAX Data Center can also initiate an association and request verification to a remote AE.

### **Application Entity: Storage Commitment (SCP and SCU)**

The **Storage Commitment AE** implements the DICOM Storage Commitment Service Class as an SCP and SCU.

### **Application Entity: Query/Retrieve-SCP and Storage-SCU**

The **Query/Retrieve-SCP AE** implements Query/Retrieve Service Class as an SCP. The Storage-SCU AE implements the DICOM Storage Service Class as an SCU.

### **Application Entity: Retrieve-SCU**

The **Retrieve-SCU AE** implements the DICOM Retrieve Service Class as an SCU.

### **Application Entity: Modality Performed Procedure Step (SCP and SCU)**

The Modality Performed Procedure Step AE implements the DICOM MPPS Service Class as an SCP and SCU.

## **2.1.2 Functional Definitions of AE’s**

### **2.1.2.1 Application Entity: Verification-SCU**

*Summary:* IMPAX Data Center acts as a Service Class User of C-Echo to verification DICOM communication with remote application entity.

*Details:* The Verification-SCU Application Entity initiates a new association to a Remote Application Entity with the Verification (Echo) Service Classes.

### **2.1.2.2 Application Entity: Storage-SCP**

*Summary:* IMPAX Data Center stores a received image in its entirety in its internal data store. IMPAX Data Center stores each image with the File Meta Information attached to it.

IMPAX Data Center extracts information about the images and stores this information within its internal database.

*Details:* The Storage-SCP Application Entity waits for another application to connect at the presentation address configured for its Application Entity Title. When another application connects, the Storage-SCP AE expects it to be a DICOM application.

The Storage-SCP AE will accept Associations with Presentation Contexts for SOP Classes of the Verification and Storage Service Classes.

DICOM Instances received in a Storage Request are filed on local (attached/mounted) file system(s). A subset of attributes from received Instances is also stored in records in local database.

### 2.1.2.3 Application Entity: Storage Commitment (SCP and SCU)

*Summary:* IMPAX Data Center acts a Service Class Provider of Storage Commitment to take explicit responsibility for storing DICOM objects received. Also IMPAX Data Center acts as a Service Class User of Storage Commitment to request explicit responsibility for storing DICOM objects sent to a Remote Storage-SCP.

*Details:* The Storage Commitment Application Entity waits for another application to connect at the presentation address configured for its Application Entity Title. When another application connects, the Storage Commitment-SCP AE expects it to be a DICOM application.

The Storage Commitment AE will accept Associations with Presentation Contexts for SOP Classes of the Verification and the Storage Commitment Service Classes.

A remote AE initiates an association with IMPAX Data Center and requests commitment for the safekeeping of one or more composite SOP instances on IMPAX Data Center. IMPAX Data Center will open a new association with the remote AE to indicate success or failure.

IMPAX Data Center can also initiate an association and request commitment for the safekeeping of one or more composite SOP instances to a remote AE.<sup>3</sup>

### 2.1.2.4 Application Entity: Query/Retrieve-SCP and Storage-SCU

*Summary:* IMPAX Data Center responds to queries and retrieves based on the records stored in its database.

*Details:* The Query/Retrieve-SCP Application Entity waits for another application to connect at the presentation address configured for its Application Entity Title. When another application connects, the Query/Retrieve-SCP AE expects it to be a DICOM application.

The Query/Retrieve-SCP AE will accept Associations with Presentation Contexts for SOP Classes of the Verification and Query/Retrieve Service Classes.

Once it receives a Retrieve (Move) request, the Query/Retrieve-SCP AE will initiate a new association and send the requested instances to the Move Destination AE. The new association is handled by the Storage-SCU.

A remote AE initiates an association with IMPAX Data Center and sends a query. IMPAX Data Center will search the database for possible matches with composite SOP instances. The results of the query are returned to the remote AE using the same association.

### 2.1.2.5 Application Entity: Retrieve-SCU

*Summary:* IMPAX Data Center acts as a Service Class User of C-Move to retrieve DICOM objects.

*Details:* The Retrieve-SCU Application Entity initiates a new association to a Remote Application Entity with the Retrieve (Move) Service Classes. It specifies in the request the study, series or sop instance to be retrieved and the Move Destination AE.<sup>4</sup>

---

<sup>3</sup>This feature is mainly for use in combination with configured routing of received DICOM objects to an (IMPAX) external DICOM archive, to which IMPAX can/shall delegate long-term storage.

### 2.1.2.6 Application Entity: Modality Performed Procedure Step (SCP and SCU)

*Summary:* IMPAX Data Center acts as a Service Class Provider of MPPS to receive MPPS and acts as a Service Class User of MPPS to forward the received MPPS to configured destination AEs.

*Details:* The MPPS SCP Application Entity waits for another application to connect at the presentation address configured for its Application Entity Title. When another application connects, the MPPS SCP AE expects it to be a DICOM application.

The MPPS SCP AE will accept Associations with Presentation Contexts for SOP Class of Modality Performed Procedure Step SOP Class.

Once it receives a Create (N-Create) or an Update (N-Set) request, the MPPS SCP AE will store the MPPS or update an existing MPPS locally. If one or more MPPS Forward destinations are configured, then the MPPS SCP AE will notify the MPPS SCU AE which will initiate new association with the configured destinations and forward the MPPS.

---

<sup>4</sup>Beside internal usage of this service by IMPAX to trigger retrieval of specified objects to a remote Storage SCP by sending a corresponding MOVE RQ to its own Query/Retrieve SCP, this feature is also mainly for use in combination with an (IMPAX) external DICOM archive for long-term storage: In this case, the Query/Retrieve SCP may receive retrieve requests for objects not longer available on the file storage managed by IMPAX, but only on the external archive. Then the Retrieve SCP makes use of the Retrieve SCU application entity to forward the – possibly modified – retrieve RQ to the Retrieve SCP of the external archive.

## 2.2 AE Specifications

This section outlines the specifications for the Application Entities included in IMPAX Data Center.

### 2.2.1 AE Specification: Storage-SCP, Storage Commitment (SCP and SCU), Query/Retrieve-SCP and Storage-SCU, Retrieve-SCU

#### 2.2.1.1 Default Transfer Syntaxes Supported

Storage-SCP provides Standard Conformance to the default transfer syntaxes listed in the following table:

**Table 2-1: Default Transfer Syntaxes**

Transfer Syntax	UID	SOP Class
Implicit VR Little Endian	1.2.840.10008.1.2	not Video

#### 2.2.1.2 Extended Syntaxes Supported

Storage-SCP provides Standard Conformance to the extended transfer syntaxes listed in the following table for the purposes of storage and retrieval:

**Table 2-2: Extended Transfer Syntaxes**

Transfer Syntax	UID	SOP Class
Explicit VR Little Endian <sup>5</sup>	1.2.840.10008.1.2.1	not Video
Deflated Explicit VR Little Endian	1.2.840.10008.1.2.1.99	not Video
JPEG Process 1, baseline, lossy (8 bit)	1.2.840.10008.1.2.4.50	only Image
JPEG Process 2,4, extended lossy (12 bit)	1.2.840.10008.1.2.4.51	only Image
JPEG Process 14, lossless, Non-Hierarchical	1.2.840.10008.1.2.4.57	only Image
JPEG Process 14, selection value 1, lossless, Non-Hierarchical, First-Order Prediction	1.2.840.10008.1.2.4.70	only Image
JPEG 2000 Image Compression (Lossless Only)	1.2.840.10008.1.2.4.90	only Image
JPEG 2000 Image Compression	1.2.840.10008.1.2.4.91	only Image
No Pixel Data	1.2.840.10008.1.2.4.96	Image / Video
No Pixel Data Deflate	1.2.840.10008.1.2.4.97	Image / Video
RLE Lossless	1.2.840.10008.1.2.5	only Image
MPEG2 Main Profile @ Main Level	1.2.840.10008.1.2.4.100	only Video

#### 2.2.1.3 Storage SOP Classes Supported

The Storage-SCP AE provides Standard Conformance to the following SOP Classes:

##### Notes

- This table lists the Network Services Supported as they appear in DICOM Supplement 64, Table A.1-2.
- The italicized items represent SOP classes that have been retired (so no longer appear in Supplement 64) but are still supported by IMPAX Data Center.

<sup>5</sup> LEE (Explicit Little Endian) is used for all group 2 elements including File Meta Information.

**Table 2-3: SOP Classes for Storage-SCP**

SOP Class Name	SOP Class UID	SCU	SCP
<b>Verification</b>			
Verification	1.2.840.10008.1.1	Yes	Yes
<b>Transfer</b>			
Computed Radiography Image Storage	1.2.840.10008.5.1.4.1.1.1	Yes	Yes
Digital X-Ray Image Storage – For Presentation	1.2.840.10008.5.1.4.1.1.1.1	Yes	Yes
Digital X-Ray Image Storage – For Processing	1.2.840.10008.5.1.4.1.1.1.1.1	Yes	Yes
Digital Mammography X-Ray Image Storage – For Presentation	1.2.840.10008.5.1.4.1.1.1.2	Yes	Yes
Digital Mammography X-Ray Image Storage – For Processing	1.2.840.10008.5.1.4.1.1.1.2.1	Yes	Yes
Digital Intra-oral X-Ray Image Storage – For Presentation	1.2.840.10008.5.1.4.1.1.1.3	Yes	Yes
Digital Intra-oral X-Ray Image Storage – For Processing	1.2.840.10008.5.1.4.1.1.1.3.1	Yes	Yes
CT Image Storage	1.2.840.10008.5.1.4.1.1.2	Yes	Yes
Enhanced CT Image Storage	1.2.840.10008.5.1.4.1.1.2.1	Yes	Yes
Ultrasound Multi-frame Image Storage	1.2.840.10008.5.1.4.1.1.3.1	Yes	Yes
MR Image Storage	1.2.840.10008.5.1.4.1.1.4	Yes	Yes
Enhanced MR Image Storage	1.2.840.10008.5.1.4.1.1.4.1	Yes	Yes
MR Spectroscopy Storage	1.2.840.10008.5.1.4.1.1.4.2	Yes	Yes
Ultrasound Image Storage	1.2.840.10008.5.1.4.1.1.6.1	Yes	Yes
Secondary Capture Image Storage	1.2.840.10008.5.1.4.1.1.7	Yes	Yes
Multi-frame Single Bit Secondary Capture Image Storage	1.2.840.10008.5.1.4.1.1.7.1	Yes	Yes
Multi-frame Grayscale Byte Secondary Capture Image Storage	1.2.840.10008.5.1.4.1.1.7.2	Yes	Yes
Multi-frame Grayscale Word Secondary Capture Image Storage	1.2.840.10008.5.1.4.1.1.7.3	Yes	Yes
Multi-frame True Color Secondary Capture Image Storage	1.2.840.10008.5.1.4.1.1.7.4	Yes	Yes
12-lead ECG Waveform Storage	1.2.840.10008.5.1.4.1.1.9.1.1	Yes	Yes
General ECG Waveform Storage	1.2.840.10008.5.1.4.1.1.9.1.2	Yes	Yes
Ambulatory ECG Waveform Storage	1.2.840.10008.5.1.4.1.1.9.1.3	Yes	Yes
Hemodynamic Waveform Storage	1.2.840.10008.5.1.4.1.1.9.2.1	Yes	Yes
Cardiac Electrophysiology Waveform Storage	1.2.840.10008.5.1.4.1.1.9.3.1	Yes	Yes
Basic Voice Audio Waveform Storage	1.2.840.10008.5.1.4.1.1.9.4.1	Yes	Yes
Grayscale Softcopy Presentation State Storage	1.2.840.10008.5.1.4.1.1.11.1	Yes	Yes
Color Softcopy Presentation State Storage	1.2.840.10008.5.1.4.1.1.11.2	Yes	Yes
Pseudo-Color Softcopy Presentation State Storage	1.2.840.10008.5.1.4.1.1.11.3	Yes	Yes
Blending Softcopy Presentation State Storage	1.2.840.10008.5.1.4.1.1.11.4	Yes	Yes
X-Ray Angiographic Image Storage	1.2.840.10008.5.1.4.1.1.12.1	Yes	Yes
Enhanced XA Image Storage	1.2.840.10008.5.1.4.1.1.12.1.1	Yes	Yes
X-Ray Radiofluoroscopic Image Storage	1.2.840.10008.5.1.4.1.1.12.2	Yes	Yes
Enhanced XRF Image Storage	1.2.840.10008.5.1.4.1.1.12.2.1	Yes	Yes
Nuclear Medicine Image Storage	1.2.840.10008.5.1.4.1.1.20	Yes	Yes
Raw Data Storage	1.2.840.10008.5.1.4.1.1.66	Yes	Yes
Spatial Registration Storage	1.2.840.10008.5.1.4.1.1.66.1	Yes	Yes
Spatial Fiducials Storage	1.2.840.10008.5.1.4.1.1.66.2	Yes	Yes
Deformable Spatial Registration Storage	1.2.840.10008.5.1.4.1.1.66.3	Yes	Yes
Segmentation Storage	1.2.840.10008.5.1.4.1.1.66.4	Yes	Yes
Real World Value Mapping Storage	1.2.840.10008.5.1.4.1.1.67	Yes	Yes
VL Endoscopic Image Storage	1.2.840.10008.5.1.4.1.1.77.1.1	Yes	Yes
Video Endoscopic Image Storage	1.2.840.10008.5.1.4.1.1.77.1.1.1	Yes	Yes
VL Microscopic Image Storage	1.2.840.10008.5.1.4.1.1.77.1.2	Yes	Yes
Video Microscopic Image Storage	1.2.840.10008.5.1.4.1.1.77.1.2.1	Yes	Yes

SOP Class Name	SOP Class UID	SCU	SCP
VL Slide-Coordinates Microscopic Image Storage	1.2.840.10008.5.1.4.1.1.77.1.3	Yes	Yes
VL Photographic Image Storage	1.2.840.10008.5.1.4.1.1.77.1.4	Yes	Yes
Video Photographic Image Storage	1.2.840.10008.5.1.4.1.1.77.1.4.1	Yes	Yes
Ophthalmic Photography 8 Bit Image Storage	1.2.840.10008.5.1.4.1.1.77.1.5.1	Yes	Yes
Ophthalmic Photography 16 Bit Image Storage	1.2.840.10008.5.1.4.1.1.77.1.5.2	Yes	Yes
Stereometric Relationship Storage	1.2.840.10008.5.1.4.1.1.77.1.5.3	Yes	Yes
Basic Text SR	1.2.840.10008.5.1.4.1.1.88.11	Yes	Yes
Enhanced SR	1.2.840.10008.5.1.4.1.1.88.22	Yes	Yes
Comprehensive SR	1.2.840.10008.5.1.4.1.1.88.33	Yes	Yes
Procedure Log Storage	1.2.840.10008.5.1.4.1.1.88.40	Yes	Yes
Mammography CAD SR	1.2.840.10008.5.1.4.1.1.88.50	Yes	Yes
Key Object Selection Document	1.2.840.10008.5.1.4.1.1.88.59	Yes	Yes
Chest CAD SR	1.2.840.10008.5.1.4.1.1.88.65	Yes	Yes
X-Ray Radiation Dose SR	1.2.840.10008.5.1.4.1.1.88.67	Yes	Yes
Encapsulated PDF Storage	1.2.840.10008.5.1.4.1.1.104.1	Yes	Yes
Positron Emission Tomography Image Storage	1.2.840.10008.5.1.4.1.1.128	Yes	Yes
RT Image Storage	1.2.840.10008.5.1.4.1.1.481.1	Yes	Yes
RT Dose Storage	1.2.840.10008.5.1.4.1.1.481.2	Yes	Yes
RT Structure Set Storage	1.2.840.10008.5.1.4.1.1.481.3	Yes	Yes
RT Beams Treatment Record Storage	1.2.840.10008.5.1.4.1.1.481.4	Yes	Yes
RT Plan Storage	1.2.840.10008.5.1.4.1.1.481.5	Yes	Yes
RT Brachy Treatment Storage	1.2.840.10008.5.1.4.1.1.481.6	Yes	Yes
RT Treatment Summary Record Storage	1.2.840.10008.5.1.4.1.1.481.7	Yes	Yes
RT Ion Plan Storage	1.2.840.10008.5.1.4.1.1.481.8	Yes	Yes
RT Ion Beams Plan Storage	1.2.840.10008.5.1.4.1.1.481.9	Yes	Yes
<i>Hardcopy Grayscale Image Storage (Retired)</i>	<i>1.2.840.10008.5.1.1.29</i>	Yes	Yes
<i>Hardcopy Color Image Storage (Retired)</i>	<i>1.2.840.10008.5.1.1.30</i>	Yes	Yes
<i>Nuclear Medicine Image Storage (Retired)</i>	<i>1.2.840.10008.5.1.4.1.1.5</i>	Yes	Yes
<i>Ultrasound Image Storage (Retired)</i>	<i>1.2.840.10008.5.1.4.1.1.6</i>	Yes	Yes
<i>Ultrasound Multi-frame Image Storage (Retired)</i>	<i>1.2.840.10008.5.1.4.1.1.3</i>	Yes	Yes
<i>X-Ray Angiographic Bi-plane Image Storage (Retired)</i>	<i>1.2.840.10008.5.1.4.1.1.12.3</i>	Yes	Yes
<i>Standalone Overlay Storage (Retired)</i>	<i>1.2.840.10008.5.1.4.1.1.8</i>	Yes	Yes
<i>Standalone Curve Storage (Retired)</i>	<i>1.2.840.10008.5.1.4.1.1.9</i>	Yes	Yes
<i>Standalone Modality LUT Storage (Retired)</i>	<i>1.2.840.10008.5.1.4.1.1.10</i>	Yes	Yes
<i>Standalone VOI LUT Storage (Retired)</i>	<i>1.2.840.10008.5.1.4.1.1.11</i>	Yes	Yes
<i>Standalone PET Curve Storage (Retired)</i>	<i>1.2.840.10008.5.1.4.1.1.129</i>	Yes	Yes
<i>VL Image Storage (Retired)</i>	<i>1.2.840.10008.5.1.4.1.1.77.1</i>	Yes	Yes
<i>VL Multi-frame Image Storage (Retired)</i>	<i>1.2.840.10008.5.1.4.1.1.77.2</i>	Yes	Yes
Agfa Attribute Presentation State	1.2.124.113532.3500.7	Yes	Yes
Siemens CSA Non-Image Storage	1.3.12.2.1107.5.9.1	Yes	Yes
Dcm4che Encapsulated Document Storage	1.2.40.0.13.1.5.1.4.1.1.104.1	Yes	Yes

## 2.2.1.4 Association Establishment Policies

### 2.2.1.4.1 General

The Storage-SCP AE can both accept and propose Association Requests. The Storage-SCP AE will accept Association Requests for the Verification and Storage Services.

The DICOM standard application context name for DICOM 3.0 is always accepted.

**Table 2-4: DICOM Application Context**

Application Context Name	1.2.840.10008.3.1.1.1
--------------------------	-----------------------

IMPAX Data Center contains no limitations for maximum PDU size.

### 2.2.1.4.2 Number of Associations

The Storage-SCP AE can support multiple simultaneous Associations requested by peer AEs. The default is 512. This value can be configured through the attribute "MaximumDICOMClients" in the Application Server DcmServer service.

**Table 2-5: Number of Associations as an Association Acceptor for Storage-SCP**

Maximum number of simultaneous associations	512 (Configurable)
---	--------------------

### 2.2.1.4.3 Asynchronous Nature

The Storage-SCP AE supports asynchronous communication. Multiple outstanding transactions are supported. It allows more than one invoked and more than one performed operation on an Association. Asynchronous mode of operation is supported.

**Table 2-6: Asynchronous Nature as an Association Acceptor for Storage-SCP**

Maximum number of outstanding asynchronous transactions	1 (Configurable)
---	------------------

### 2.2.1.4.4 Implementation Identifying Information

The Storage-SCP AE will respond with the implementation identifying parameters listed in the following table.

**Table 2-7: DICOM implementation Class and Version for Storage-SCP**

Implementation Class UID	1.2.40.0.13.1.1
Implementation Version Name	dcm4che-1.1

### 2.2.1.4.5 Called/Calling Titles

The AE Title of IMPAX Data Center can be configured at installation or initial configuration time. Multiple hosts within a single IMPAX Data Center installation can use the same AE Title.

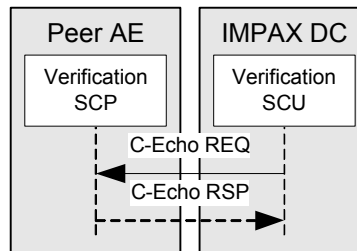
IMPAX Data Center validates the Called AE Title of the requesting SCU during association negotiation. Validation of the Calling AE Title is configurable. It is enabled by default.

## 2.2.1.5 Association Initiation Policies

### 2.2.1.5.1 Real World Activity – Verification Request Sent by IMPAX Data Center

#### 2.2.1.5.1.1 Description and Sequencing of Activity

IMPAX Data Center issues Verification requests in response to UI mediated requests from the user to test the validity of a DICOM connection.



*Figure 2-2 C-Echo Sequencing of Activity*

#### 2.2.1.5.1.2 Proposed Presentation Contexts

For the real world activity of Verification, the IMPAX Data Center requests the Presentation Contexts listed in Table 2-8.

*Table 2-8: Presentation Contexts Proposed by the PACS AE*

Presentation Context Table					
Abstract Syntax		Transfer Syntax		Role	Extended Negotiation
Name	UID	Name List	UID List		
Verification	1.2.840.10008.1.1	Implicit VR Little Endian	1.2.840.10008.1.2	SCU	None

#### 2.2.1.5.1.3 SOP Specific Conformance – Verify Communication

IMPAX Data Center provides standard conformance to the DICOM Verification Service Class as an SCU.

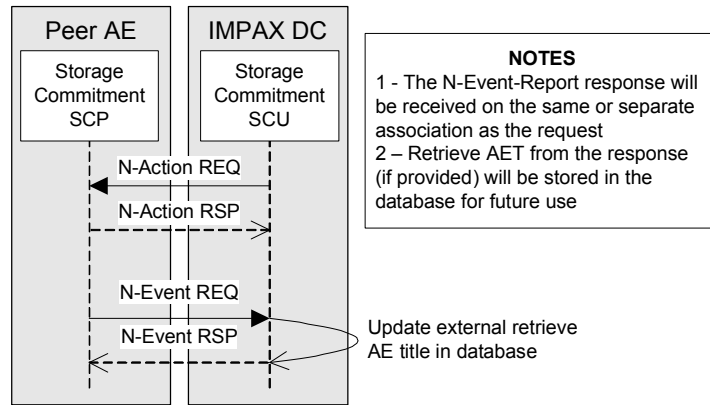
### 2.2.1.5.2 Real World Activity – Storage Commitment Request Sent by IMPAX Data Center

#### 2.2.1.5.2.1 Description and Sequencing of Activity

IMPAX Data Center stores images that are sent to it from an SCU. In some configurations, IMPAX Data Center may send images to another SCP, such as a PACS, for permanent storage. The request for storage commitment may then be transmitted from IMPAX Data Center together with a list of references to one or more SOP instances. This action is invoked through the DIMSE N-ACTION primitive. The following message is supported:

- **Request Storage Commitment** - to request the safekeeping of a set of SOP instances

Each Storage Commitment Request that IMPAX Data Center sends is uniquely identified by the Transaction UID Attribute (0008,1195) value that is generated by IMPAX Data Center. After sending a Storage Commitment Request, IMPAX Data Center expects an N-EVENT-REPORT from the SCP. IMPAX Data Center will then respond with an N-EVENT-REPORT response primitive with a status code.



**Figure-2-3: Send Storage Commitment Sequencing of Activity**

**2.2.1.5.2.2 Proposed Presentation Contexts**

IMPAX Data Center may request any of the Presentation Contexts listed in Table 2.2-9 for Storage Commitment

**Table 2-9: Presentation Contexts Proposed for Request Storage Commitment (SCU)**

Presentation Context Table					
Abstract Syntax		Transfer Syntax		Role	Extended Negotiation
Name	UID	Name List	UID List		
Storage Commitment Push Model	1.2.840.10008.1.20.1	Implicit VR Little Endian	1.2.840.10008.1.2	SCU	None

**2.2.1.5.2.3 SOP Specific Conformance – Request Storage Commitment (SCU)**

IMPAX Data Center provides standard conformance to the DICOM Storage Commitment Service Class as an SCU. The Action Type and Action Information specified in Table 2-10 are supported.

**Table 2-10: Storage Commitment Request – Action Information**

Action Type Name	Action Type ID	Attribute Name	Tag
Request Storage Commitment	1	Transaction UID	(0008,1195)
		Referenced SOP Sequence	(0008,1199)
		>Referenced SOP Class UID	(0008,1150)
		>Referenced SOP Instance UID	(0008,1155)
		Referenced Study Component Sequence	(0008,1111)
		>Referenced SOP Class UID	(0008,1150)
		>Referenced SOP Instance UID	(0008,1155)

IMPAX Data Center will generate an N-ACTION primitive if the local configuration setting for the remote AE is enabled for storage commitment.

IMPAX Data Center may request storage commitment for all the SOP Class UIDs listed in Table 2-3.

IMPAX Data Center supports the Referenced Study Component Sequence Attribute.

IMPAX Data Center will keep the Transaction ID applicable indefinitely.

IMPAX Data Center will respond to an N-EVENT-REPORT with an N-EVENT-REPORT response primitive using one of the status codes listed in Table 2-11.

IMPAX Data Center can configure the destination AE Title for the Storage Commit. By default, this is the AE Title where the storage request is sent.

**Table 2-11: Storage Commitment Status Codes**

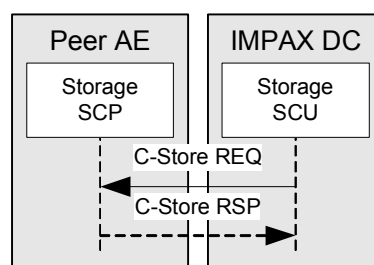
Service Status	Further Meaning	Protocol Codes	Related Fields	Description
Success	Success	0000		Successful notification

### 2.2.1.5.3 Real World Activity – Transmit DICOM Objects Requested by IMPAX Data Center

#### 2.2.1.5.3.1 Description and Sequencing of Activity

IMPAX Data Center will transmit images to a remote Storage-SCP. An association is established when the IMPAX Data Center initiates a transmit request. IMPAX Data Center will establish an association automatically in response to a C-MOVE request, archive to PACS notification, or configured forwarding rules.

Figure 2-4 illustrates the sequencing of activity when IMPAX Data Center initiates a C-Store request to a Storage-SCP.



**Figure 2-4: C-Store Sequencing of Activity**

#### 2.2.1.5.3.2 Proposed Presentation Contexts

IMPAX Data Center may request any of the Presentation Contexts listed in Table 2-12 for Storage. IMPAX Data Center will propose the transfer syntax used when the object was initially accepted by the server and Implicit VR Little Endian.

**Table 2-12: Presentation Contexts Proposed for Requested DICOM Objects Received by Remote AE**

Presentation Context Table					
Abstract Syntax		Transfer Syntax		Role	Extended Negotiation
Name	UID	Name List	UID List		
		Implicit VR Little Endian	1.2.840.10008.1.2	SCU	None
		Explicit VR Little Endian	1.2.840.10008.1.2.1	SCU	None
		Deflated Explicit VR Little Endian	1.2.840.10008.1.2.1.99	SCU	None
		RLE Lossless, PackBits	1.2.840.10008.1.2.5	SCU	None
		JPEG Process 1, baseline, lossy (8 bit)	1.2.840.10008.1.2.4.50	SCU	None
		JPEG Process 2,4, extended lossy (12 bit)	1.2.840.10008.1.2.4.51	SCU	None
		JPEG Process 14, lossless	1.2.840.10008.1.2.4.57	SCU	None
		JPEG Process 14, selection value 1, lossless	1.2.840.10008.1.2.4.70	SCU	None
		JPEG 2000 Image Compression (Lossless Only)	1.2.840.10008.1.2.4.90	SCU	None
		JPEG 2000 Image Compression	1.2.840.10008.1.2.4.91	SCU	None

### 2.2.1.5.3.3 SOP Specific Conformance

IMPAX Data Center provides Standard conformance to the DICOM Storage Service Class as an SCU.

IMPAX Data Center supports sending the objects in their native transfer syntax. If native compressed transfer syntax is not supported by the destination Calling AET, then IMPAX Data Center can decompress the object using the default Implicit VR Little Endian transfer syntax. IMPAX Data Center will not convert the objects into another compressed transfer syntax.

A successful C-Store response status will not generate any actions.

An unsuccessful C-Store response will cause the warning status B000: Sub-operations Complete – One or more Failures, in the final C-MOVE response to the C-MOVE request which triggers this C-Store sub-operation. The SOP Instance UID of the object, which storage to the Move Destination failed, will be listed in the Failed SOP Instance UID List (0008,0058) of the C\_MOVE RSP Identifier and the value of Number of Failed Sub-operations (0000,1022) in the C-MOVE response will be incremented.

A warning status received in response to a C-Store operation will increment the value of Number of Warning Sub-operations (0000,1023) in the C-MOVE response.

## 2.2.1.6 Association Acceptance Policies

### 2.2.1.6.1 Real World Activity – Image or other Composite DICOM Object Sent by Remote AE (SCP)

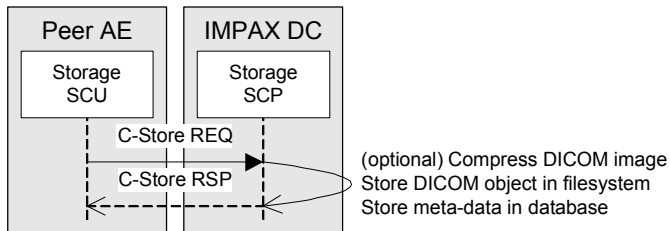
#### 2.2.1.6.1.1 Description and Sequencing of Activity

IMPAX Data Center will store images that are sent to it from a Storage SCU. All images received by IMPAX Data Center can be retrieved at a later time from IMPAX Data Center; however, the rate of return of the images will vary depending on the state of the images. The images can be in one of three states, as listed in Table 2-13.

**Table 2-13: Image States for Image or other Composite DICOM Object Sent by Remote AE (SCP)**

Image State	Description
Online	The image is immediately available.
Nearline	The image is automatically available. However, there may be a small delay in retrieval time.
Offline	The image requires manual assistance to become online. The retrieval request will return a failure code.

Figure 2-5 illustrates the sequencing of activity when new DICOM objects are stored to IMPAX Data Center. IMPAX Data Center may be configured to apply lossless compression to received DICOM image objects. If this configuration option has been set, only images that arrived uncompressed are affected.



**Figure 2-5: C-Store Sequencing of Activity**

#### 2.2.1.6.1.2 Accepted Presentation Contexts

IMPAX Data Center will accept any of the Presentation Contexts listed in Table 2-14 for Storage.

**Table 2-14: Presentation Contexts Accepted by IMPAX Data Center for Image DICOM Object Sent by Remote AE (SCP)**

Presentation Context Table					
Abstract Syntax		Transfer Syntax		Role	Extended Negotiation
Name	UID	Name List	UID List		
		Implicit VR Little Endian	1.2.840.10008.1.2	SCP	-
		Explicit VR Little Endian	1.2.840.10008.1.2.1	SCP	-
		Explicit VR Big Endian	1.2.840.10008.1.2.2	SCP	-
		RLE Lossless, PackBits	1.2.840.10008.1.2.5	SCP	-

Presentation Context Table					
Abstract Syntax		Transfer Syntax		Role	Extended Negotiation
Name	UID	Name List	UID List		
		JPEG Process 1, baseline, lossy (8 bit)	1.2.840.10008.1.2.4.50	SCP	-
		JPEG Process 2,4, extended lossy (12 bit)	1.2.840.10008.1.2.4.51	SCP	-
		JPEG Process 14, lossless	1.2.840.10008.1.2.4.57	SCP	-
		JPEG Process 14, selection value 1, lossless	1.2.840.10008.1.2.4.70	SCP	-
		JPEG 2000 Image Compression (Lossless Only)	1.2.840.10008.1.2.4.90	SCP	-
		JPEG 2000 Image Compression	1.2.840.10008.1.2.4.91	SCP	-

**Table 2-15: Presentation Contexts Accepted by IMPAX Data Center for Video DICOM Object Sent by Remote AE (SCP)**

Presentation Context Table					
Abstract Syntax		Transfer Syntax		Role	Extended Negotiation
Name	UID	Name List	UID List		
		MPEG2 Main Profile @ Main Level	1.2.840.10008.1.2.4.100	SCP	-

**Table 2-16: Presentation Contexts Accepted by IMPAX Data Center for SR DICOM Object Sent by Remote AE (SCP)**

Presentation Context Table					
Abstract Syntax		Transfer Syntax		Role	Extended Negotiation
Name	UID	Name List	UID List		
		Implicit VR Little Endian	1.2.840.10008.1.2	SCP	-
		Explicit VR Little Endian	1.2.840.10008.1.2.1	SCP	-
		Explicit VR Big Endian	1.2.840.10008.1.2.2	SCP	-
		Deflated Explicit VR Little Endian	1.2.840.10008.1.2.1.99	SCP	-

**Table 2-17: Presentation Contexts Accepted by IMPAX Data Center for Other Composite DICOM Object Sent by Remote AE (SCP)**

Presentation Context Table					
Abstract Syntax		Transfer Syntax		Role	Extended Negotiation
Name	UID	Name List	UID List		
		Implicit VR Little Endian	1.2.840.10008.1.2	SCP	-
		Explicit VR Little Endian	1.2.840.10008.1.2.1	SCP	-
		Explicit VR Big Endian	1.2.840.10008.1.2.2	SCP	-

### 2.2.1.6.1.3 SOP Specific Conformance – Image or other Composite DICOM Object Sent by Remote AE (SCP)

IMPAX Data Center conforms to the DICOM Storage Service Class as a Level 2 (Full) SCP. No elements are discarded or coerced by IMPAX Data Center. All Type 1, Type 2 and Type 3 attributes will be retained. Private attributes will be stored and included when the object is sent out again. IMPAX Data Center can decompress lossy compressed images and send them in uncompressed format. The Attribute Lossy Image Compression (0028,2110) remains "01".

Upon successful storage of objects contained within a study, the study can be automatically transferred to a remote AE or returned in response to a retrieval request. IMPAX Data Center can be configured to automatically archive or delete objects contained within a study. Studies may be manually transferred, archived or deleted through the graphical user interface.

In addition, IMPAX Data Center can be configured to silently ignore the duplicate object by returning success (i.e. return status of 0000H).

IMPAX Data Center calculates a hash code for each object received using the industry standard MD5 hashing algorithm. If IMPAX Data Center receives the same object (i.e. same SOP Instance UID) at a later time but the MD5 hash is different from the previous instance, IMPAX Data Center can be configured to overwrite the former received object.

IMPAX Data Center will return the C-STORE status codes shown in Table 2-18.

**Table 2-18: Verification Response Status for Image or other Composite DICOM Object Sent by IMPAX Data Center Storage SCP**

Service Status	Further Meaning	Error Code	Reason
Refused	Out of resources	A700	Indicates that there was not enough storage space to store the image. Recovery from this condition is left to the administrative functions.
Error	Data set does not match SOP Class	A900	Indicates that the Data Set does not encode an instance of the SOP Class specified.
	Processing Failure	110	The operation was not successful.
	Coercion of Data Elements	B000	Values of attributes were modified by the SCP to ensure consistency with former received objects belonging to the same Patient/Study/Series entity.
Success	Success	0000	Operation performed properly.

#### 2.2.1.6.1.4 Presentation Context Acceptance Criterion

IMPAX Data Center will accept any number of Storage Presentation Contexts per association request. Any one Abstract Syntax may be specified more than once in an association request, if the Transfer Syntaxes differ between the Presentation Contexts.

#### 2.2.1.6.1.5 Transfer Syntax Selection Policies

IMPAX Data Center supports all transfer syntaxes listed in Table 2-9. By default, IMPAX Data Center will choose a transfer syntax other than Implicit VR Little Endian if more than one is requested in a single Presentation Context. IMPAX Data Center will prefer a compressed Transfer Syntax over an uncompressed Transfer Syntax. Lossless Compression is preferred over Lossy Compression and Explicit VR Little Endian is preferred over Implicit VR Little Endian.

## 2.2.1.6.2 Real World Activity – Storage Commitment Request Sent by Remote AE

### 2.2.1.6.2.1 Description and Sequencing of Activity

IMPAX Data Center stores images that are sent to it from a Storage SCU. The request for storage commitment may then be transmitted to IMPAX Data Center together with a list of references to one or more SOP instances. IMPAX Data Center will receive and respond to DIMSE N-ACTION. The following message is supported:

- Request Storage Commitment - to request the safekeeping of a set of SOP instances

When IMPAX Data Center is ready to commit successful recipient of the requested objects, an Association Request is sent to the peer AE that sent the Storage Commitment Push Model request. Upon successful negotiation of the required Presentation Context the outstanding N-EVENT-REPORT is sent.

Figure 2-6 illustrates the sequencing of activities when IMPAX Data Center receives a storage commitment request (N-Action) and send a storage commitment response (N-Event).

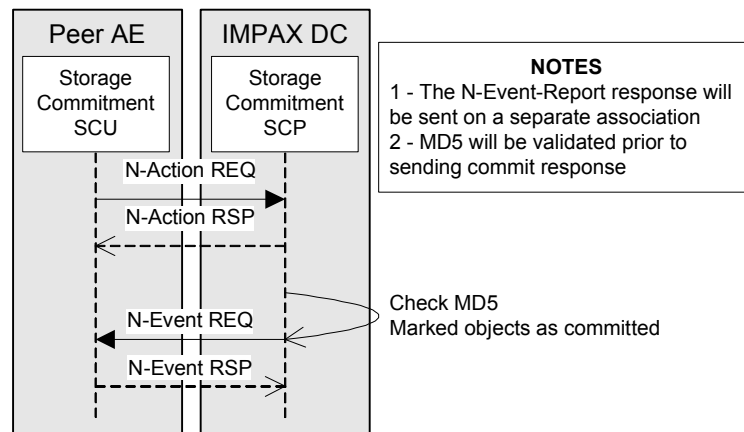


Figure 2-6: Storage Commitment Request Sequencing of Activity

### 2.2.1.6.2.2 Accepted Presentation Contexts

IMPAX Data Center will accept any of the Presentation Contexts listed in Table 2-19 for Storage Commitment.

Table 2-19: Presentation Contexts Accepted for Storage Commitment Request Sent by Remote AE

Presentation Context Table					
Abstract Syntax		Transfer Syntax		Role	Extended Negotiation
Name	UID	Name List	UID List		
Storage Commitment Push Model	1.2.840.10008.1.20.1	Implicit VR Little Endian	1.2.840.10008.1.2	SCP	None
		Explicit VR Little Endian	1.2.840.10008.1.2.1		

### 2.2.1.6.2.3 SOP Specific Conformance

IMPAX Data Center provides standard conformance to the DICOM **Storage Commitment** Service Class as an SCP. IMPAX Data Center supports the elements listed in Table 2-20 for this SOP class.

The associated Activity with the Storage Commitment Push Model service is the communication by the Storage Commitment AE to peer AEs that it has committed to permanently store Composite SOP Instances that have been sent to it.

It thus allows peer AEs to determine whether the Storage-SCP AE has taken responsibility for the archiving of specific SOP Instances so that they can be flushed from the peer AE system.

The Storage Commitment SCP AE will initiate a new Association to a peer AE that sent a Storage Commitment Push Model request if the original Association over which this was sent is no longer open.

**Table 2-20: Storage Commitment Request – Action Information**

Action Type Name	Action Type ID	Attribute Name	Tag
Request Storage Commitment	1	Transaction UID	(0008,1195)
		Referenced SOP Sequence	(0008,1199)
		>Referenced SOP Class UID	(0008,1150)
		>Referenced SOP Instance UID	(0008,1155)

IMPAX Data Center will store SOP Instances indefinitely unless the instances are manually deleted by a user with appropriate system permissions. The capacity is limited only by the availability of archive storage and volatility is dependent on the archive medium used. IMPAX Data Center will stop accepting new objects for storage to ensure the availability of objects for which a successful storage commitment response has been sent.

### 2.2.1.6.2.4 Storage Commitment Result

If IMPAX Data Center determines that it has successfully completed storage commitment, IMPAX Data Center issues an N-EVENT-REPORT to the SCU including references to the successfully stored SOP Instances contained in the N-ACTION.

In the event that IMPAX Data Center cannot commit to storing SOP Instances, IMPAX Data Center issues an N-EVENT-REPORT to the SCU including references to the failed SOP Instances contained in the N-ACTION.

The N-EVENT-REPORT contains the Transaction UID value contained in the initiating N-ACTION. The N-EVENT-REPORT is sent on a separate association from the N-ACTION operation.

IMPAX Data Center supports the Event Information as specified in Table 2-21. IMPAX Data Center supports the optional Retrieve AE Title (0008,0054) Attributes in the N-EVENT-REPORT.

**Table 2-21: Storage Commitment Result – Event Information**

Action Type Name	Event Type ID	Attribute Name	Tag
Storage Commitment Request Successful	1	Transaction UID	(0008,1195)
		Referenced SOP Sequence	(0008,1199)
		>Referenced SOP Class UID	(0008,1150)
		>Referenced SOP Instance UID	(0008,1155)
		>Retrieve AE Title	(0008,0054)
Storage Commitment Request Complete-Failures Exist	2	Transaction UID	(0008,1195)
		Referenced SOP Sequence	(0008,1199)
		>Referenced SOP Class UID	(0008,1150)
		>Referenced SOP Instance UID	(0008,1155)
		>Retrieve AE Title	(0008,0054)
		Failed SOP Sequence	(0008,1198)
		>Referenced SOP Class UID	(0008,1150)
		>Referenced SOP Instance UID	(0008,1155)
		>Failure Reason	(0008,1197)

#### 2.2.1.6.2.5 Operations – Storage Commitment

IMPAX Data Center will never delete SOP Instances for which Storage Commitment was requested – except deletion is forced manually by authorized user.

SOP Instances can be retrieved from IMPAX Data Center using C-FIND and C-MOVE.

#### 2.2.1.6.2.6 Presentation Context Acceptance Criterion

IMPAX Data Center will accept any number of Storage Presentation Contexts per association request. Any one Abstract Syntax may be specified more than once in an association request, if the Transfer Syntaxes differ between the Presentation Contexts.

#### 2.2.1.6.2.7 Transfer Syntax Selection Policies

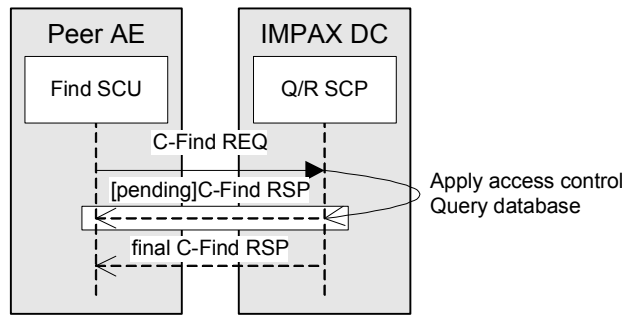
Explicit VR Little Endian is preferred over Implicit VR Little Endian.

#### 2.2.1.6.3 Real World Activity – Find Object (SCP)

##### 2.2.1.6.3.1 Description and Sequencing of Activity – Find Object (SCP)

IMPAX Data Center will respond to query requests that are sent to it by an Query/Retrieve SCU. The latency for retrieval of SOP Instances is dependent on the object state, as specified in Table 2-22.

Figure 2-7 illustrates the sequencing of activity when IMPAX Data Center receives a DICOM query from a peer AE.



**Figure 2-7: Query Sequencing of Activity**

**Table 2-22: Image States for Find Object (SCP)**

Image State	Description
Online	The image is immediately available.
Nearline	The image is automatically available. However, there may be a small delay in retrieval time.
Offline	The image requires manual assistance to become online. The retrieval request will return a failure code.

**2.2.1.6.3.2 Accepted Presentation Contexts – Find Object (SCP)**

IMPAX Data Center will accept any of the Presentation Contexts listed in Table 2-23 for Find.

**Table 2-23: Presentation Contexts Accepted by IMPAX Data Center for Find Object (SCP)**

Presentation Context Table					
Abstract Syntax		Transfer Syntax		Role	Extended Negotiation
Name	UID	Name List	UID List		
Patient Root Query/Retrieve IM Find	1.2.840.10008.5.1.4.1.2.1.1	Implicit VR Little Endian	1.2.840.10008.1.2	SCP	See Note 1
Study Root Query/Retrieve IM Find	1.2.840.10008.5.1.4.1.2.2.1	Implicit VR Little Endian	1.2.840.10008.1.2	SCP	See Note 1
Patient/Study Only Query/Retrieve IM Find	1.2.840.10008.5.1.4.1.2.3.1	Implicit VR Little Endian	1.2.840.10008.1.2	SCP	See Note 1

**Note 1:** C-Find Extended Negotiation will be supported. IMPAX Data Center will respond with the information in Table 2-24.

**Table 2-24: FIND Extended Negotiation**

Field Name	Value	Description of Field
Relational-queries	1	Relational queries supported.

### 2.2.1.6.3.3 SOP Specific Conformance – Find Object (SCP)

IMPAX Data Center provides standard conformance to the DICOM Query/Retrieve Service Class as an SCP.

IMPAX Data Center supports the Relational-queries extended SCP behavior. IMPAX Data Center supports all mandatory Unique and Required Matching Keys. Matching for all PN VR attributes, but also for Study Description (0008,1030), Institution Name (0008,0080) and Institutional Department Name (0008,1040) is case-insensitive. Supported Return Keys are configurable. There is a trade-off between the extent of supported Return Keys and the size of the database.

IMPAX Data Center supports matching multiple Patient IDs in the same query using the Other Patient ID Sequence (0010,1002). If Other Patient ID Sequence is specified, then all items within the sequence as well as the root level Patient ID and Issuer of Patient ID must be specified and cannot have wildcard.

IMPAX Data Center provides support for the Instance Availability (0008,0056) Data Element on Study, Series and Instance Level, but not on Patient Level.

**Table 2-25: Patient Level Attributes for Find Object (SCP)**

Description	Tag	Support
Patient Name	(0010,0010)	Wild Card Matching / Returned
Patient ID	(0010,0020)	Wild Card Matching / Returned
Issuer of Patient ID	(0010,0021)	Single Value Matching / Returned
Patient Birth Date	(0010,1005)	Range Matching / Returned
Patient Sex	(0010,0040)	Wild Card Matching / Returned
Other Patient ID Sequence	(0010,1002)	Sequence Matching / Returned
> Patient ID	(0010,0020)	Single Value Matching / Returned
> Issuer of Patient ID	(0010,0021)	Single Value Matching / Returned
All additional configured Patient Level Return Keys		Returned Only

**Table 2-26: Study Level Attributes for Find Object (SCP)**

Description	Tag	Support
Study Instance UID	(0020,000D)	List of UID Matching / Returned
Study ID	(0020,0010)	Wild Card Matching / Returned
Study Date	(0008,0020)	Range Matching <sup>6</sup> / Returned
Study Time	(0008,0010)	Range Matching <sup>Error! Bookmark not defined.</sup> / Returned
Accession Number	(0008,0050)	Wild Card Matching / Returned
Modalities in Study	(0008,0061)	Single Value Matching / Returned
Referring Physician's Name	(0008,0090)	Wild Card Matching / Returned

<sup>6</sup>Matching keys for Date and Time are combined. For example, a Study Date of "20060705-20060707" and a Study Time of "1000-1800" will match the time period of July 5, 10am until July 7, 6pm, rather than the three time periods of 10am until 6pm on each of July 5, July 6 and July 7.

Description	Tag	Support
Study Description	(0008,1030)	Wild Card Matching / Returned
Study Status ID	(0032,000A)	Single Value Matching / Returned
Number of Study Related Series	(0020,1000)	Returned Only
Number of Study Related Instances	(0020,1208)	Returned Only
All additional configured Study Level Return Keys		Returned Only

**Table 2-27: Series Level Attributes for Find Object (SCP)**

Description	Tag	Support
Series Instance UID	(0020,000E)	List of UID Matching / Returned
Series Number	(0020,0011)	Wild Card Matching / Returned
Modality	(0008,0060)	Wild Card Matching / Returned
Institution Name	(0008,0080)	Wild Card Matching / Returned
Institutional Department Name	(0008,1040)	Wild Card Matching / Returned
Request Attribute Sequence	(0040,0275)	
>Requested Procedure ID	(0040,1001)	Wild Card Matching / Returned
>Reason for the Requested Procedure	(0040,1002)	Returned Only
>Reason for Requested Procedure Code Sequence	(0040,100A)	
>>Code Value	(0008,0100)	Returned Only
>>Coding Scheme Designator	(0008,0102)	Returned Only
>>Coding Scheme Version	(0008,0103)	Returned Only
>>Code Meaning	(0008,0104)	Returned Only
>Scheduled Procedure Step ID	(0040,0009)	Wild Card Matching / Returned
>Scheduled Procedure Step Description	(0040,0007)	Returned Only
>Scheduled Protocol Code Sequence	(0040,0008)	
>>Code Value	(0008,0100)	Returned Only
>>Coding Scheme Designator	(0008,0102)	Returned Only
>>Coding Scheme Version	(0008,0103)	Returned Only
>>Code Meaning	(0008,0104)	Returned Only
Performed Procedure Step Start Date	(0040,0244)	Range Matching <sup>Error! Bookmark not defined.</sup> / Returned
Performed Procedure Step Start Time	(0040,0245)	Range Matching <sup>Error! Bookmark not defined.</sup> / Returned
Number of Series Related Instances	(0020,1209)	Returned Only
All additional configured Series Level Return Keys		Returned Only

**Table 2-28: Instance Level Attributes for Find Object (SCP)**

Description	Tag	Support
Instance Number	(0020,0013)	Wild Card Matching / Returned
SOP Instance UID	(0008,0018)	List of UID Matching / Returned
SOP Class UID	(0008,0016)	List of UID Matching / Returned
Content Date	(0008,0023)	Range Matching <sup>Error! Bookmark not defined.</sup> / Returned
Content Time	(0008,0033)	Range Matching <sup>Error! Bookmark not defined.</sup> / Returned
Concept Name Code Sequence	(0040,A043)	
>>Code Value	(0008,0100)	Single Value Matching / Returned
>>Coding Scheme Designator	(0008,0102)	Single Value Matching / Returned
>>Coding Scheme Version	(0008,0103)	Returned Only
>>Code Meaning	(0008,0104)	Returned Only
Completion Flag	(0040,A491)	Single Value Matching / Returned
Verification Flag	(0040,A493)	Single Value Matching / Returned
All additional configured Instance Level Return Keys		Returned Only

IMPAX Data Center returns one of the following status codes to a C-FIND request.

**Table 2-29: C-FIND Status Codes for Find Object (SCP)**

Service Status	Further Meaning	Protocol Codes	Description
Failed	Identifier does not match SOP Class	A900	The specified identifier contains a request that does not match the specified SOP Class.
	Unable to process	C000	For some reason (such as the database being off-line) this request cannot be processed at this time.
Cancel	Matching terminated due to Cancel Request	FE00	The original requester canceled this operation.
Pending	Pending	FF00	All Optional Keys are supported in the same manner as Required Keys.
Success	Success	0000	Operation performed properly.

#### 2.2.1.6.3.4 Presentation Context Acceptance Criterion – Find Object (SCP)

IMPAX Data Center will accept any number of **Find** Presentation Contexts per association request. Any one Abstract Syntax may be specified more than once in an association request, if the Transfer Syntaxes differ between the Presentation Contexts.

#### 2.2.1.6.3.5 Transfer Syntax Selection Policies – Find Object (SCP)

Explicit VR Little Endian is preferred over Implicit VR Little Endian.

## 2.2.1.6.4 Real World Activity – Received DICOM Objects Retrieve Requested by Remote AE

### 2.2.1.6.4.1 Description and Sequencing of Activity

IMPAX Data Center will transmit images that have been sent to it previously, driven by user requests. An association is established when the user initiates a transmit request. IMPAX Data Center will establish an association automatically in response to a C-MOVE request.

Figure 2-8 illustrates the sequencing of activity when IMPAX Data Center received a C-Move request from a Move-SCU. Pending C-Move responses are, by default, sent on a periodic basis to keep the inbound DICOM association alive. The pending response interval is configurable.

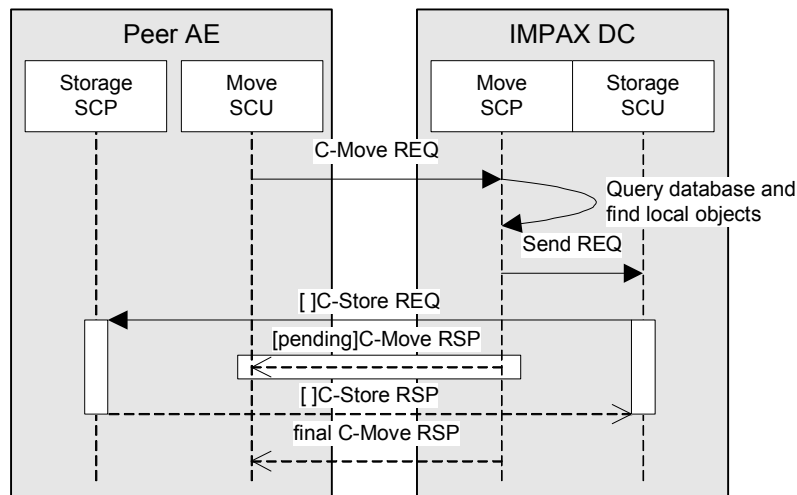


Figure 2-8: Retrieve Sequencing of Activity

### 2.2.1.6.4.2 Accepted Presentation Contexts – Move Object (SCP)

IMPAX Data Center will accept any of the Presentation Contexts listed in Table 2-30 for Move.

Table 2-30: Presentation Contexts Accepted by IMPAX Data Center for Move Object (SCP)

Presentation Context Table					
Abstract Syntax		Transfer Syntax		Role	Extended Negotiation
Name	UID	Name List	UID List		
Patient Root Query/Retrieve IM Move	1.2.840.10008.5.1.4.1.2.1.2	Implicit VR Little Endian	1.2.840.10008.1.2	SCP	See Note 2
Study Root Query/Retrieve IM Move	1.2.840.10008.5.1.4.1.2.2.2	Implicit VR Little Endian	1.2.840.10008.1.2	SCP	See Note 2

Presentation Context Table					
Patient/Study Only Query/Retrieve IM Move	1.2.840.10008.5.1.4.1.2.3.2	Implicit VR Little Endian	1.2.840.10008.1.2	SCP	See Note 2

**Note 2:** C-Move Extended Negotiation will be supported. IMPAX Data Center will respond with the information in Table 2-31: MOVE Extended Negotiation.

**Table 2-31: MOVE Extended Negotiation**

Field Name	Value	Description of Field
Relational-retrieve	1	Relational retrieve supported.

#### 2.2.1.6.4.3 SOP Specific Conformance – Move Object (SCP)

IMPAX Data Center will try to establish an association with the move destination specified in the Move request. One or more of the Presentation Contexts listed in the Store section of this document may be negotiated in this association.

IMPAX Data Center returns one of the following status codes to a C-MOVE request.

**Table 2-32: C-MOVE Status Codes for Move Object (SCP)**

Service Status	Further Meaning	Protocol Codes	Description
Refused	Out of Resources	A702	Unable to perform storage of images to move destination.
	Move destination unknown	A801	The destination of this move request is unknown.
Failed	Identifier does not match SOP Class	A900	The specified identifier contains a request that does not match the specified SOP Class.
	Unable to process	C000	For some reason (such as the database being off-line) this request cannot be processed at this time.
Cancel	Storage terminated due to Cancel Request	FE00	The original requester canceled this operation.
Warning	Warning	B000	Storage complete with one or more failures.
Pending	Pending	FF00	The storage operation is continuing.
Success	Success	0000	Operation performed properly.

#### 2.2.1.6.4.4 Presentation Context Acceptance Criterion – Move Object (SCP)

IMPAX Data Center will accept any number of Move Presentation Contexts per association request. Any one Abstract Syntax may be specified more than once in an association request, if the Transfer Syntaxes differ between the Presentation Contexts.

#### 2.2.1.6.4.5 Transfer Syntax Selection Policies – Move Object (SCP)

By default, IMPAX Data Center sends the IOD using the transfer syntax that was used when the image was originally stored. It will convert the IOD to a transfer syntax with native

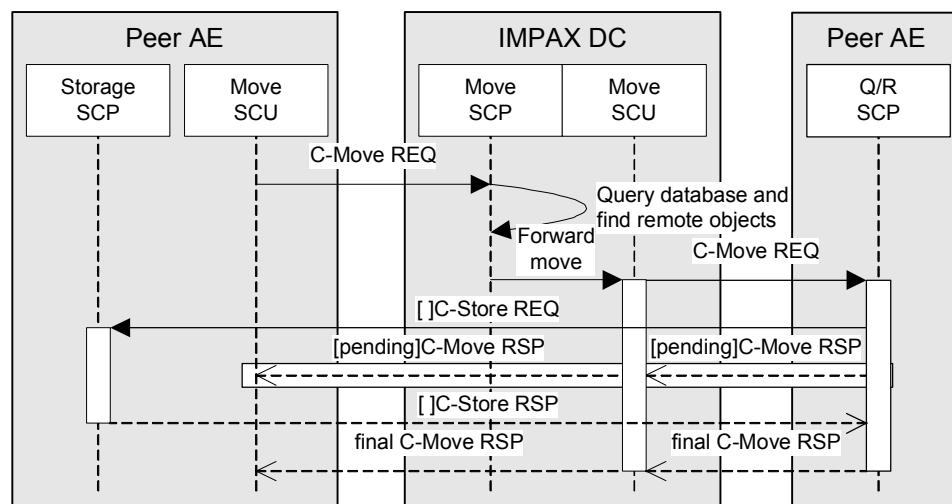
(uncompressed) pixel data (=Explicit or Implicit VR Little Endian) if the original transfer syntax is not supported by the destination.

IMPAX Data Center can be configured on a per-destination basis to convert the IOD from the original transfer syntax to Explicit or Implicit VR Little Endian.

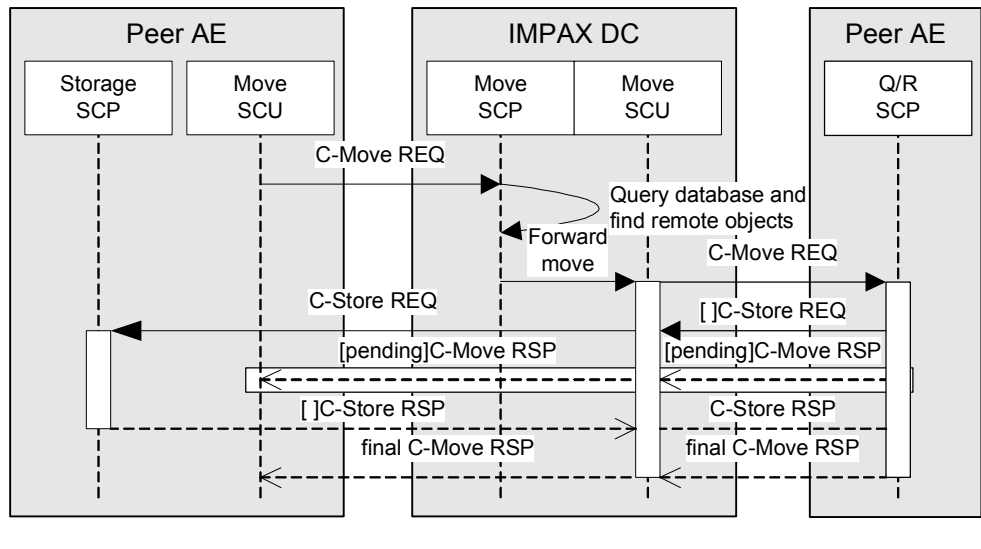
## 2.2.1.6.5 Real World Activity – Remote Retrieve-SCP Receives Forwarded Retrieve Command

### 2.2.1.6.5.1 Description and Sequencing of Activity

IMPAX Data Center may both receive and initiate forwarded C-Move requests. C-Move requests will be forwarded to another Move-SCP when the requested sop instance(s) are no longer stored by the local AE. Figure 2-9 and Figure 2-10 illustrate the sequencing of activity when IMPAX Data Center forwards a C-Move request to another AE. The difference is that the first option let the external Move-SCP directly send the objects to the requesting Move-SCU via C-Store while with the second option, IMPAX Data Center acts as the proxy to intercept the C-Store requests and then forward them to the requesting Move-SCU. C-Move responses from the forward destination are echoed back to the original C-Move SCU by IMPAX Data Center.



**Figure 2-9: Direct C-Move Forward Sequencing of Activity**



**Figure 2-10: Proxy C-Move Forward Sequencing of Activity**

Section 2.2.1.6.4 describes the conformance of IMPAX Data Center Move-SCP. The following sub-sections describe the conformance of IMPAX Data Center Move-SCU in the context of this real world activity.

**2.2.1.6.5.2 Proposed Presentation Contexts**

Move-SCU will initiate any of the Presentation Contexts listed in Table 2-33 for Move. Move-SCU will accept any number of Move Presentation Contexts per association request.

**Table 2-33: Presentation Contexts Proposed for Move Object (SCU)**

Presentation Context Table					
Abstract Syntax		Transfer Syntax		Role	Extended Negotiation
Name	UID	Name List	UID List		
Patient Root Query/Retrieve IM Move	1.2.840.10008.5.1.4.1.2.1.2	Implicit VR Little Endian	1.2.840.10008.1.2	SCU	Relational-retrieve
		Explicit VR Little Endian	1.2.840.10008.1.2.1		
Study Root Query/Retrieve IM Move	1.2.840.10008.5.1.4.1.2.2.2	Implicit VR Little Endian	1.2.840.10008.1.2	SCU	Relational-retrieve
		Explicit VR Little Endian	1.2.840.10008.1.2.1		
Patient/Study Only Query/Retrieve IM Move	1.2.840.10008.5.1.4.1.2.3.2	Implicit VR Little Endian	1.2.840.10008.1.2	SCU	Relational-retrieve
		Explicit VR Little Endian	1.2.840.10008.1.2.1		

### 2.2.1.6.5.3 SOP Specific Conformance

IMPAX Data Center provides standard conformance to the DICOM Query/Retrieve Service Class as an SCU and SCP. IMPAX Data Center supports the Relational-retrieve extended SCU behavior.

### 2.2.1.6.6 Real World Activity – Modality Performed Procedure Step (SCP)

#### 2.2.1.6.6.1 Description and Sequencing of Activity

IMPAX Data Center acts as an SCP to DIMSE N-CREATE or N-SET Modality Performed Procedure Steps. Attributes values for the performed procedure step are stored within the IMPAX Data Center's data repository. If configured, IMPAX Data Center can act as an MPPS SCU forward the received Modality Performed Procedure Steps SOP Instance to another MPPS SCP.

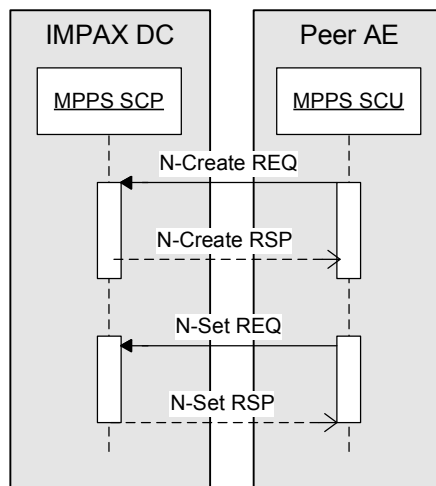


Figure 2-11: MPPS SCP N-Create and N-Set Sequence of Activity

#### 2.2.1.6.6.2 Accepted Presentation Contexts

Table 2.2-34: Presentation Contexts Accepted by Modality Performed Procedure Step SCP

Presentation Context Table					
Abstract Syntax		Transfer Syntax		Role	Extended Negotiation
Name	UID	Name List	UID List		
Modality Performed Procedure Step	1.2.840.10008.3.1.2.3.3	Implicit VR Little Endian Transfer Syntax	1.2.840.10008.1.2	SCP	None

#### 2.2.1.6.6.3 SOP Specific Conformance

When IMPAX Data Center receives a N-CREATE or N-SET MPPS from a MPPS SCU, if there are any configured forward destinations, IMPAX Data Center will forward the MPPS.

IMPAX Data Center supports the following N-CREATE Modality Performed Procedure Step attributes.

**Table 2.2-35: Modality Performed Procedure Step SOP Class N-CREATE Attributes**

Module	Attribute Name	Tag	Remarks
SOP Common	Specific Character Set	(0008,0005)	
Performed Procedure Step	Patient's Name	(0010,0010)	
Relationship	Patient ID	(0010,0020)	
	Patient Birth Date	(0010,0030)	
	Patient's Sex	(0010,0040)	
	Scheduled Step Attribute Sequence	(0040,0270)	See Note 1
	>Accession Number	(0008,0050)	
	>Referenced Study Sequence	(0008,1110)	
	>>Referenced SOP Instance UID	(0008,1155)	
	>Referenced Patient Sequence	(0008,1120)	
	>>Referenced SOP Instance UID	(0008,1155)	
	>Performing Physician's Name	(0008,1050)	
	>Study Instance UID	(0020,000D)	See Note 1
	>Requested Procedure Description	(0032,1060)	
	>Scheduled Procedure Step Description	(0040,0007)	
	>Scheduled Action Item Code Seq.	(0040,0008)	
	>>Code Value	(0008,0100)	
	>>Coding Scheme Designator	(0008,0102)	
	>>Code Meaning	(0008,0104)	
	>Scheduled Procedure Step ID	(0040,0009)	
	>Requested Procedure ID	(0040,1001)	
Performed Procedure Step	Procedure Code Sequence	(0008,1032)	
Information	>Code Value	(0008,0100)	
	>Coding Scheme Designator	(0008,0102)	
	>Code Meaning	(0008,0104)	
	Performed Station AE Title	(0040,0241)	See Note 1
	Performed Station Name	(0040,0242)	
	Performed Location	(0040,0243)	
	Performed Procedure Step Start Date	(0040,0244)	See Note 1
	Performed Procedure Step Start Time	(0040,0245)	See Note 1
	Performed Procedure Step End Date	(0040,0250)	
	Performed Procedure Step End Time	(0040,0251)	
	Performed Procedure Step Status	(0040,0252)	See Note 1  Must have status 'In Progress'. Any other status will result in an error.
	Performed Procedure Step ID	(0040,0253)	See Note 1
	Performed Procedure Step Description	(0040,0254)	
	Performed Procedure Type Description	(0040,0255)	
Image Acquisition Results	Modality	(0008,0060)	See Note 1
	Study ID	(0020,0010)	
	Performed Protocol Code Sequence	(0040,0260)	
	>Code Value	(0008,0100)	
	>Coding Scheme Designator	(0008,0102)	

Module	Attribute Name	Tag	Remarks
	>Code Meaning	(0008,0104)	
	Performed Series Sequence	(0040,0340)	
	>Retrieve AE Title	(0008,0054)	
	>Series Description	(0008,103E)	
	>Performing Physician's Name	(0008,1050)	
	>Operator's Name	(0008,1070)	
	>Referenced Image Sequence	(0008,1140)	
	>>Referenced SOP Class UID	(0008,1150)	
	>>Referenced SOP Instance UID	(0008,1155)	
	>Protocol Name	(0018,1030)	
	>Series Instance UID	(0020,000E)	
	> Referenced Non-Image Composite SOP Instance Sequence	(0040, 0220)	
	>>Referenced SOP Class UID	(0008,1150)	
	>>Referenced SOP Instance UID	(0008,1155)	

Note 1: These attributes must be present and not empty.

IMPAX Data Center returns one of the following status codes in the N-CREATE-RSP:

**Table 2.2-36: Modality Performed Procedure Step SCP Response Status**

Service Status	Error Code	Reason
Success	0000	Operation performed properly
Invalid attribute value	0106	If the Performed Procedure Step Status has a value other than In Progress.
Processing failure	0110	Sent when an SCU attempts to create a MPPS which SOP Instance UID has already existed, or when IMPAX Data Center failed to create the MPPS record in the system.
Missing attribute value	0121	One or more Type 1 attributes are either not available or are empty.

All attributes in the following table may be updated by the MPPS SCU using the N-SET Service.

**Table 2.2-37: Modality Performed Procedure Step SOP Class N-SET Attributes**

Module	Attribute Name	Tag	Remarks
Performed Procedure Step Information	Procedure Code Sequence	(0008,1032)	
	>Code Value	(0008,0100)	
	>Coding Scheme Designator	(0008,0102)	
	>Code Meaning	(0008,0104)	
	Performed Procedure Step End Date	(0040,0250)	See Note 2
	Performed Procedure Step End Time	(0040,0251)	See Note 2
	Performed Procedure Step Status	(0040,0252)	
	Performed Procedure Step Description	(0040,0254)	
	Performed Procedure Type Description	(0040,0255)	
Image Acquisition Results	Performed Protocol Code Sequence	(0040,0260)	

Module	Attribute Name	Tag	Remarks
	>Code Value	(0008,0100)	
	>Coding Scheme Designator	(0008,0102)	
	>Code Meaning	(0008,0104)	
	Performed Series Sequence	(0040,0340)	See Note 2
	>Retrieve AE Title	(0008,0054)	
	>Series Description	(0008,103E)	
	>Performing Physician's Name	(0008,1050)	
	>Operator's Name	(0008,1070)	
	>Referenced Image Sequence	(0008,1140)	
	>>Referenced SOP Class UID	(0008,1150)	
	>>Referenced SOP Instance UID	(0008,1155)	
	>Protocol Name	(0018,1030)	
	>Series Instance UID	(0020,000E)	
	> Referenced Non-Image Composite SOP Instance Sequence	(0040,0220)	
	>>Referenced SOP Class UID	(0008,1150)	
	>>Referenced SOP Instance UID	(0008,1155)	

Note 2: These attributes must be present and not empty.

IMPAX Data Center returns one of the following status codes in the N-SET-RSP:

**Table 2.2-38: Modality Performed Procedure Step SCP Response Status**

Service Status	Error Code	Reason
Success	0000	Operation performed properly
Invalid attribute value	0106	If the Performed Procedure Step Status is neither In Progress, Completed nor Discontinued.
Processing failure	0110	Sent when an SCU attempts to update a performed procedure step which is COMPLETED or DISCONTINUED, or when it attempts to update an attribute that cannot be updated.
Missing attribute values	0121	One or more Type 1 attributes are either not present or are empty.

If configured to forward the received MPPS SOP Instance, IMPAX Data Center will propose the following presentation context to the configured MPPS SCP. Upon successful association negotiation, IMPAX Data Center will forward the received MPPS SOP Instance as is to the configured MPPS SCP.

Presentation Context Table					
Abstract Syntax		Transfer Syntax		Role	Extended Negotiation
Name	UID	Name List	UID List		
Modality Performed Procedure Step	1.2.840.10008.3.1.2.3.3	Implicit VR Little Endian	1.2.840.10008.1.2	SCU	None

## **2.3 Network Interfaces**

### **2.3.1 Supported Communication Stacks**

DICOM Upper Layer over TCP/IP is supported.

#### **2.3.1.1 TCP/IP Stack**

IMPAX Data Center inherits the TCP/IP stack from the installed Java Runtime Environment.

### **2.3.2 Physical Network Interface**

IMPAX Data Center is indifferent to the physical medium over which TCP/IP executes; it inherits this from the Java Runtime Environment.

## **2.4 Configuration**

Any IMPAX Data Center Configuration that affects DICOM conformance is described in this section.

### **2.4.1 AE Title/Presentation Address Mapping**

The translation from Application Entity Title to Presentation Address is stored in the database. Along with this mapping, the database stores those AE titles that are allowed to communicate with IMPAX Data Center.

#### **2.4.1.1 Local AE Titles**

The local AE Titles and TCP ports are configurable through web interface and command line tools.

#### **2.4.1.2 Remote AE Title**

Remote AE Titles, TCP/IP Addresses and ports can be configured through web interface.

In the default configuration, Association Requests with configured Calling AE TITLE will be accepted. Association Requests from unknown Calling AE TITLE will be rejected.

## 2.4.2 Parameters

The following table shows the IMPAX Data Center configuration parameters relevant to DICOM communication. Refer to the IMPAX Data Center Documentation for details on general configuration capabilities.

**Table 2-39: Parameters**

Parameter	Configurable	Default Value
<b>General Parameters</b>		
PDU Size	Yes	16352 bytes
Time-out waiting for acceptance or rejection Response to an Association Open Request. (Application Level timeout)	Yes	10 s
General DIMSE level time-out values	Yes	600 s
Time-out waiting for response to TCP/IP connect() request. (Low-level timeout)	No	None
Time-out waiting for acceptance of a TCP/IP message over the network. (Low-level timeout)	No	None
Time-out for waiting for data between TCP/IP packets. (Low-level timeout)	No	None
Any changes to default TCP/IP settings, such as configurable stack parameters.	No	None
<b>AE Specific Parameters (all AEs)</b>		
Size constraint in maximum object size	No	None
Maximum PDU size the AE can receive (see note 1)	Yes	16352 bytes
Maximum PDU size the AE can send	No	1048576 bytes
AE specific DIMSE level time-out values	No	None
Number of simultaneous Associations by Service and/or SOP Class	No	Unlimited
SOP Class support	No	All supported SOP Classes always proposed and accepted
Transfer Syntax support	No	All supported Transfer Syntaxes always proposed and accepted
Other parameters that are configurable	No	None

<b>General Parameters</b>		
Listening Port	Yes	11112
Maximum number of simultaneous Associations	Yes	128
Time-out waiting for A-ASSOCIATE RQ on open TCP/IP connection (ARTIM timeout)	Yes	5s
Time-out waiting on an open association for the next message (DIMSE timeout)	Yes	600 s
Time-out waiting for acceptance or rejection Response to an Association Open Request. (Application Level timeout)	Yes	10 s
Time-out waiting on an open association for the next message after sending A-RELEASE RSP or A-ABORT RQ (Closing timeout)	Yes	50 ms

Parameter	Configurable	Default Value
Maximum PDU size the AE can receive	Yes	16352 bytes
Maximum PDU size the AE can send	No	1048576 bytes
Pack Command and Data PDVs in one PDU	Yes	false
Support for the Basic TLS Secure Transport Connection Profile	Yes	Off
Accepted TLS Ciphers	Yes	-
<b>Storage Server AE</b>		
Accepted Called AE Titles	Yes	
Accepted Calling AE Titles	Yes	Configured
List of DICOM AE Titles that identify the location from which composite object instance(s) received by this Storage Server may be retrieved on the network	Yes	
Storage Directory Path Prefix	Yes	
Time-out waiting for the A-ASSOCIATE-AC PDU after transmission of the A-ASSOCIATE-RQ to open an association to the Storage Commitment SCU	Yes	10 s
<b>Query/Retrieve Server AE</b>		
Accepted Called AE Titles	Yes	
Accepted Calling AE Titles	Yes	Configured
Send optional C-MOVE RSPs with Pending Status to the C-MOVE SCU during the retrieve process	Yes	true
Time-out waiting for the A-ASSOCIATE-AC PDU after transmission of the A-ASSOCIATE-RQ to open an association to the Move Destination AE	Yes	10 s

### **3 MEDIA INTERCHANGE**

IMPAX Data Center does not support Media Storage.

## 4 SUPPORT FOR EXTENDED CHARACTER SETS

### 4.1 Overview

Support extends to correctly decoding and displaying the correct symbol in the supported character sets for all names and strings received over the network, and in the local database.

No specific support for sorting of strings other than in the default character set is provided in the browsers.

### 4.2 Support for Extended Character Sets

IMPAX Data Center supports the following extended character set:

**Table 4-1: Extended Character Sets**

Character Set Description	Defined Term
Basic G0 Set	ISO-IR 6 (default)
ISO 8859-1 Latin Alphabet No. 1	ISO-IR 100

## **5 SECURITY**

### **5.1 Security Profiles**

IMPAX Data Center supports secure DICOM communication in conformance with the Basic TLS Secure Transport Connection Profile. At default configuration, the TLS option is deactivated.

### **5.2 Association Level Security**

IMPAX Data Center can be configured to accept Association Requests from only a limited list of Calling AE Titles.

In the default configuration, Association requests with configured Calling AE Title and configured Called AE Title will be accepted. However, if the Called AE Title is not correspondent to any of the actual Storage Server AE Titles, only acceptance of the Presentation Context for Verification SOP Class will be returned in the Association Acceptance Response (A-ASSOCIATE AC). Also by default, IMPAX Data Center only returns composite SOP instances to the original source in which IMPAX Data Center receives the objects.

### **5.3 User Interface Security**

IMPAX Data Center Admin Interface can be configured to require user authentication in order to access to the user interface functionalities.

## 6

### SUPPORT OF WEB ACCESS TO DICOM PERSISTENT OBJECTS (WADO)

IMPAX Data Center supports receiving web access to DICOM persistent objects requests according to DICOM Part 18. It supports the following mandatory parameters:

**Table 6-1: Supported Parameters for WADO**

Parameter Name	Description
requestType	Must be set to WADO
studyUID	The requested Study Instance UID of the object to be retrieved
seriesUID	The requested Series Instance UID of the object to be retrieved
objectUID	The requested SOP Instance UID of the object to be retrieved
contentType	mime type of the returned object. IMPAX Data Center supports the value of <b>application/dicom</b> for full-fidelity DICOM object.

IMPAX Data Center ignores the Accept field in the HTTP request. It responds according to the contentType value set in the Request-URI. The supported value is listed in Table 6-1. IMPAX Data Center will return the DICOM object in its native transfer syntax.

The URL to access the WADO service on IMPAX Data Center is structured as follows:

http://<host>:8080/wado?requestType=WADO

## **7 ANNEXES**

### **7.1 IOD Contents**

### **7.2 Created SOP Instances**

Not applicable.

### **7.3 Usage of Attributes from Received IOD's**

No SOP Class specific fields for images are required.

### **7.4 Attribute Mapping**

Not applicable.

### **7.5 Coerced/Modified fields**

Attribute coercion is configurable for IOD's received by the Storage Server. Attributes can either be mapped or may be filled with "fixed values" depending on the existence or the content(s) of one or more other Attributes.

Patient Information, Patient Demographics and Study Information could either be modified manually using the web based system management tool or updated automatically by information received from HIS/RIS.

The coerced/modified Attribute values are provided when a remote Query/Retrieve SCU queries information or when SOP Instances are sent to a remote Storage SCP. Attribute Coercion will be indicated in the appropriate Service Response Status.

### **7.6 Data Dictionary of Private Attributes**

No private attributes are defined.

### **7.7 Coded Terminology and Templates**

The value for Code Meaning will be displayed for all code sequences. No local lexicon is provided to look up alternative code meanings.

### **7.8 Grayscale Image Consistency**

The high resolution display monitor attached to the product can be calibrated according to the Grayscale Standard Display Function (GSDF).

### **7.9 Standard Extended/Specialized/Private SOP Classes**

None.

### **7.10 Private Transfer Syntaxes**

None.



### Details as of PDF Creation Date

#### Document Metadata

<b>Title:</b>	001304_IMPAX Data Center 2.0 DICOM Conformance Statement
<b>Livelink ID:</b>	28420443
<b>Version#:</b>	4
<b>Version Date:</b>	2009/12/02 01:50 PM CET
<b>Status:</b>	Approved on 2009/12/03 04:52 PM CET
<b>Owner:</b>	Peter Buytaert (awabr)
<b>Created By:</b>	Peter Buytaert (awabr)
<b>Created Date:</b>	2009/09/24 11:32 AM CET
<b>PDF Creation Date:</b>	2009/12/03 04:55 PM CET

**This document was approved by:**

#### Signatures:

1. Bruno Laffin (nawyv) on 2009/12/03 04:04 PM CET

#### Detailed Approver History:

- Approval task originally assigned to and completed by Bruno Laffin (nawyv)

#### Version & Status History

<b>Version#</b>	<b>Date Created</b>	<b>Status</b>
4	2009/12/02 01:50 PM CET	Approved - 2009/12/03
3	2009/11/24 11:56 AM CET	Approved - 2009/11/24
2	2009/09/24 11:34 AM CET	
1	2009/09/24 11:32 AM CET	